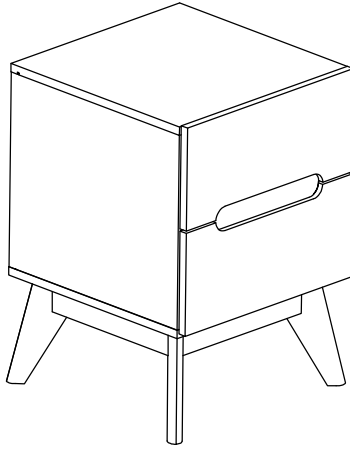
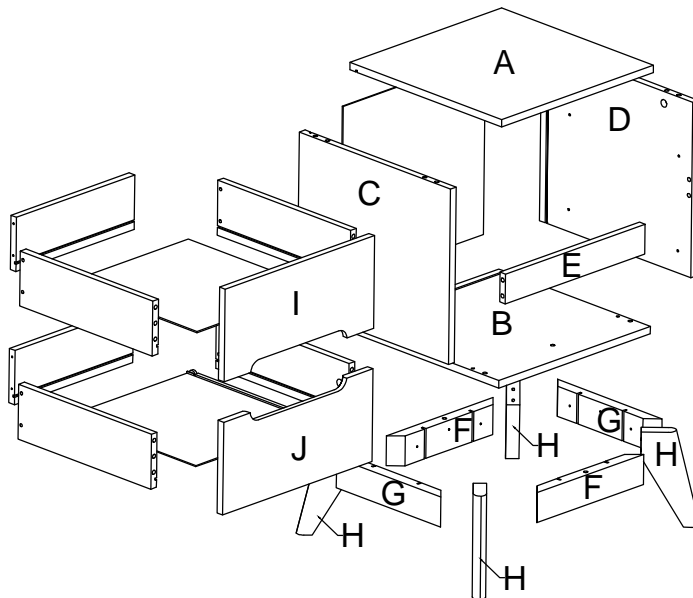


Assembly Instruction

Model : WI7504















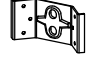

Part List



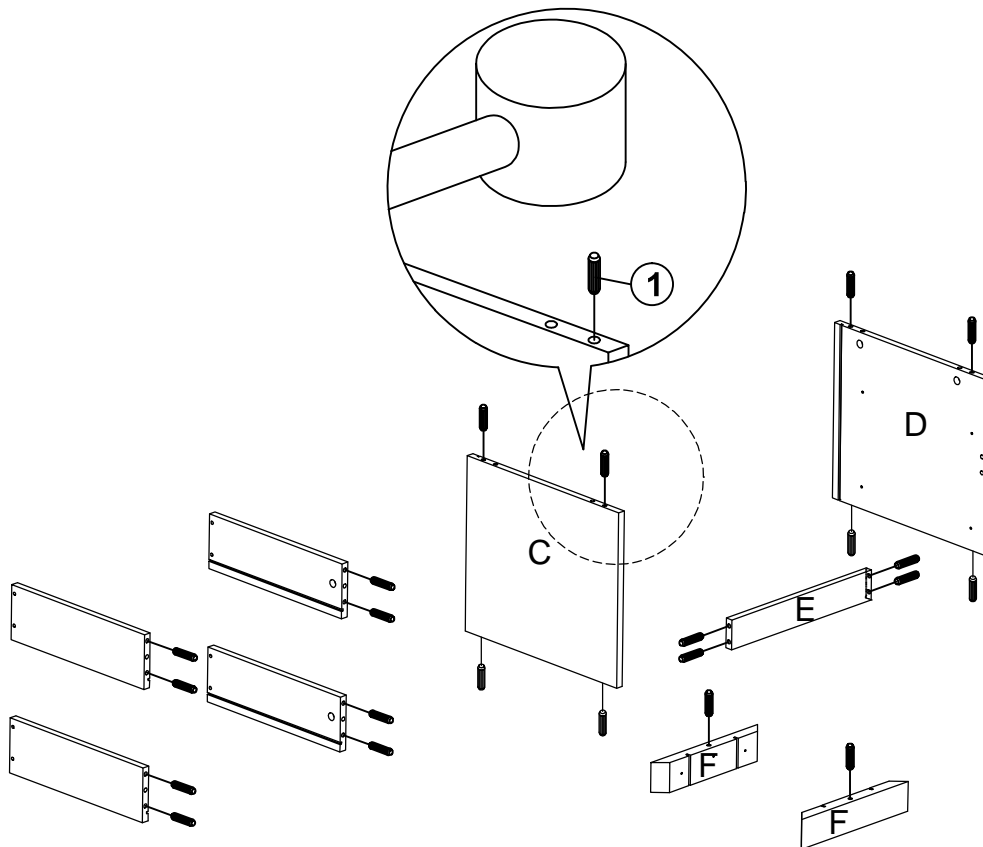
Assembly Instruction

Hardware List

No.	SHAPE	DESCRIPTION	Qty.
1		8x25mm Wood Dowel	22Pcs
2		15MM Myfix Minifix	8Sets
3		M5x8mm Screw (Euro Screw)	8Pcs
4		M3x16mm Screw	4Pcs
5		M3.5x15mm Screw	44Pcs
6		M4x38mm Screw	12Pcs
7		Jcbc 'W' M6 x 40mm	8Pcs
8		L Bracket	6 Pcs

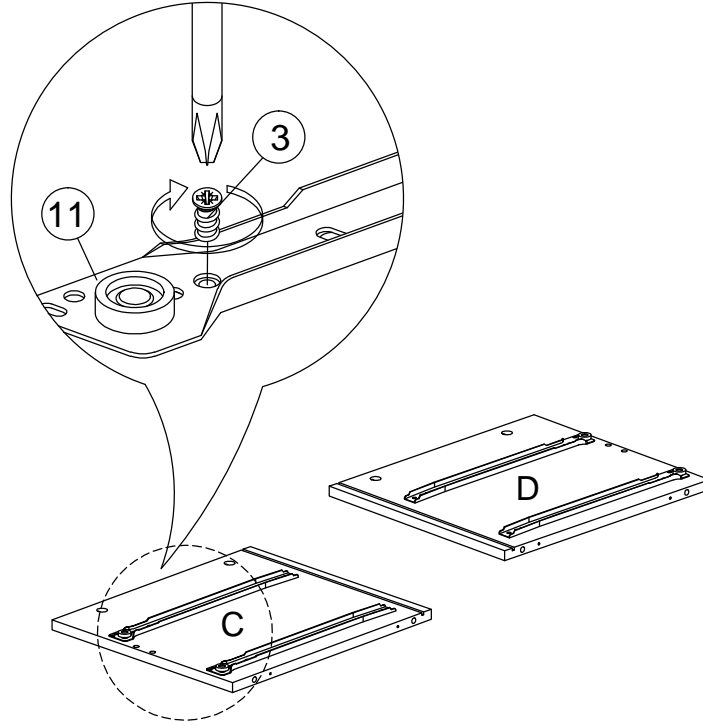
9		Nail Leg	4Pcs
10		Z Bracket (Big)	2Pcs
11		Metal Drawer Slide 14" (350mm)	2 Sets
12		Minifix Cap	4Pcs
13		Metal Corner Bracket	4Pcs
14		L Key	1Pc

STEP 1

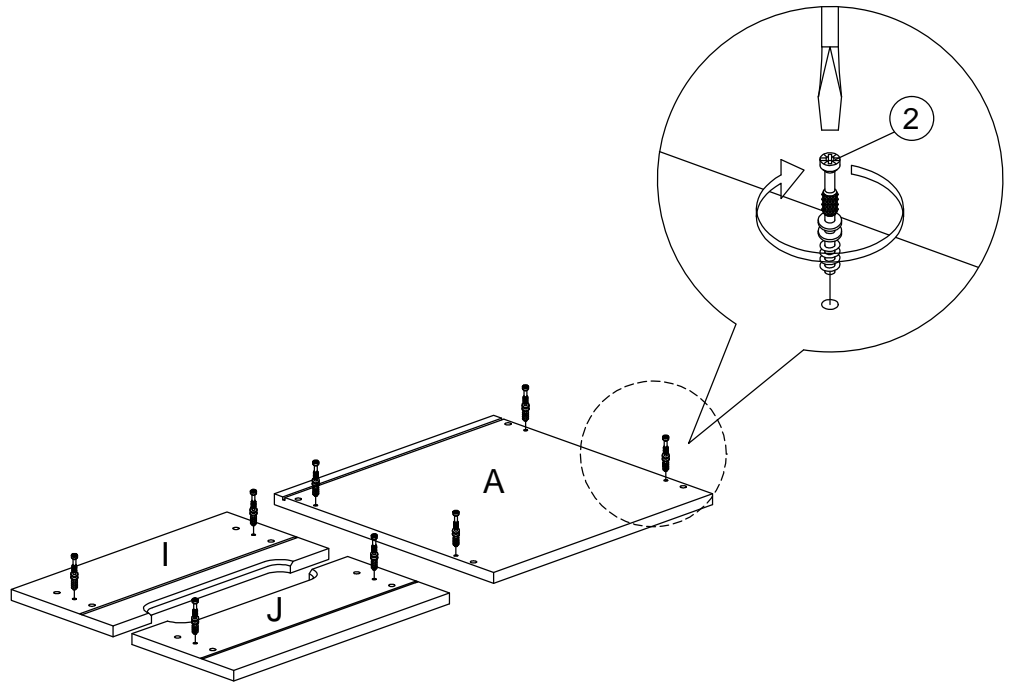


Assembly Instruction

STEP 2

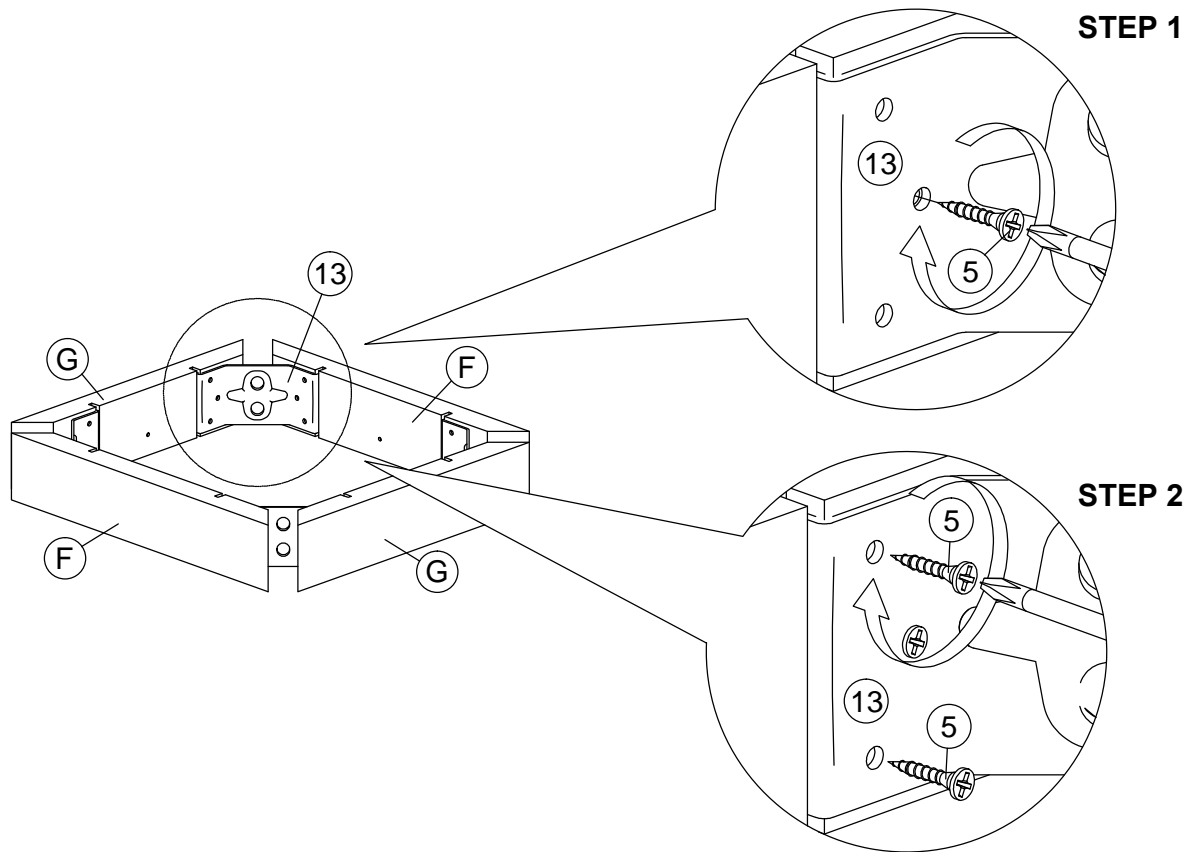


STEP 3

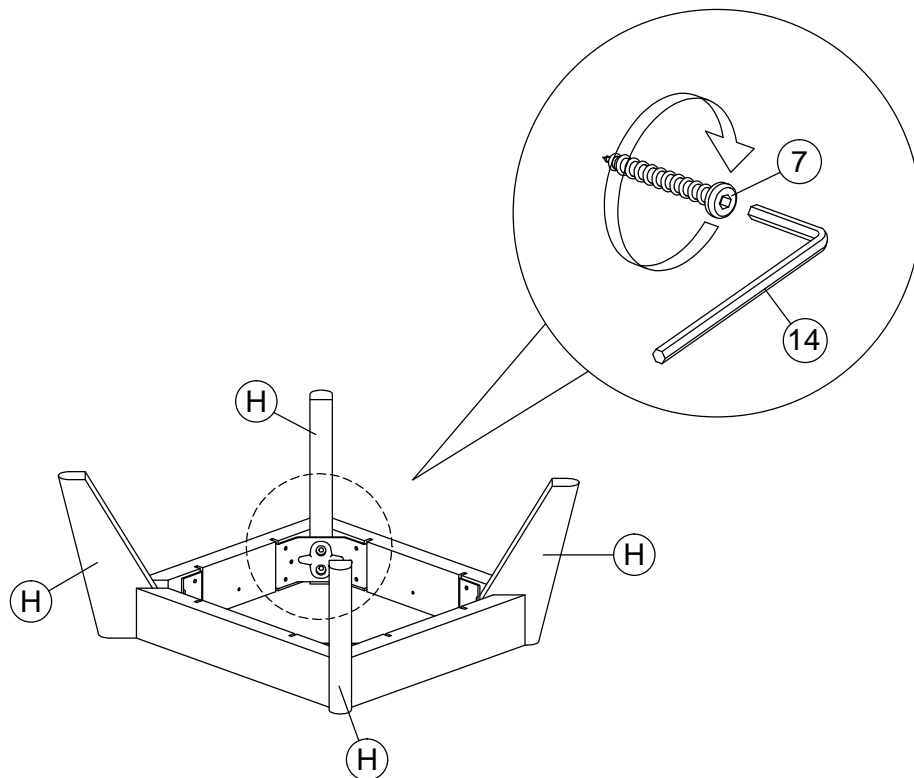


Assembly Instruction

STEP 4

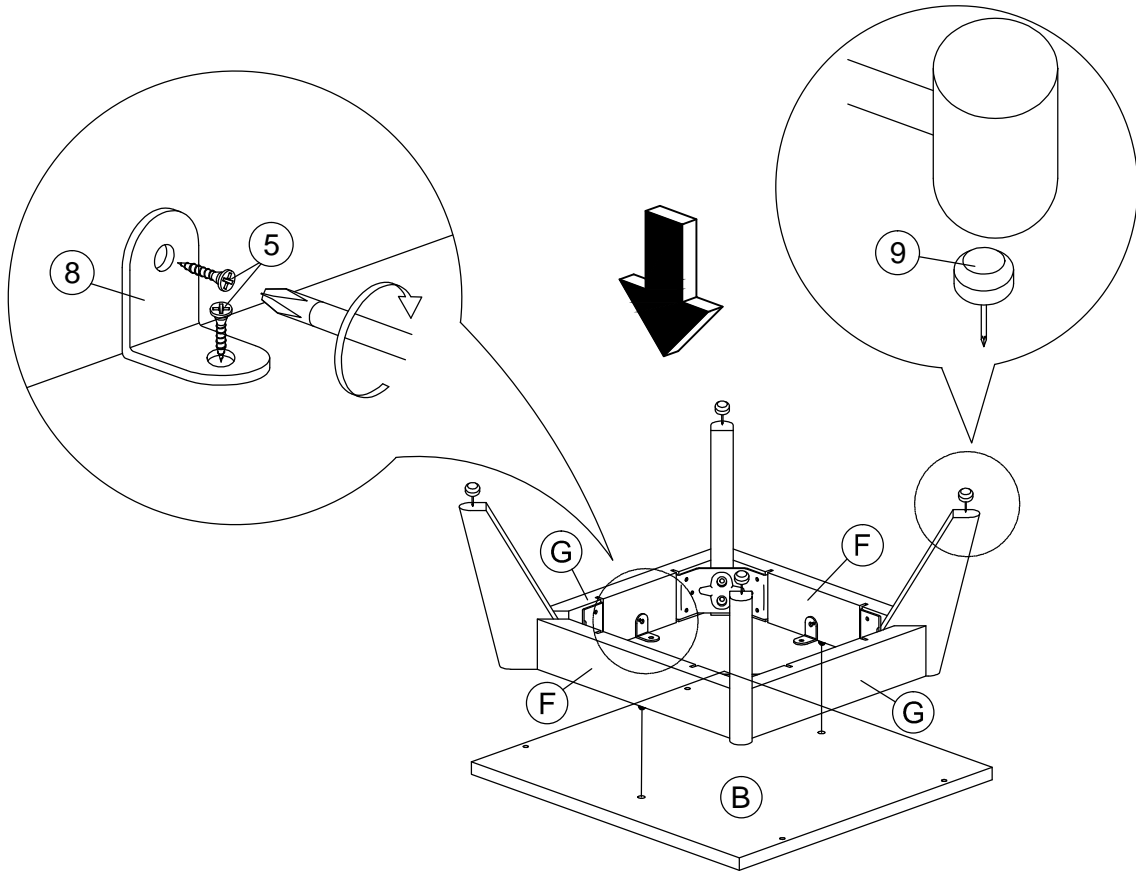


STEP 5

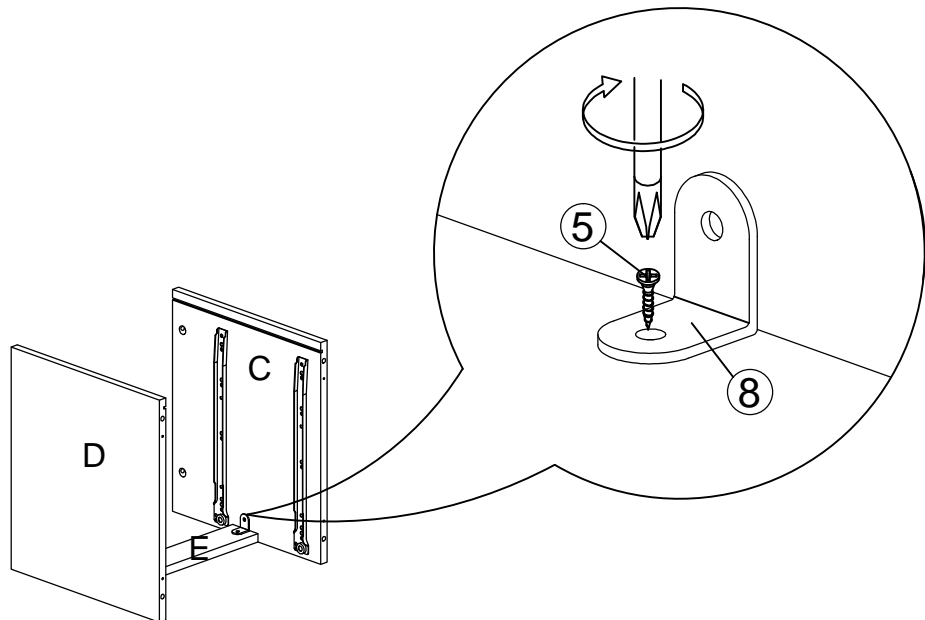


Assembly Instruction

STEP 6

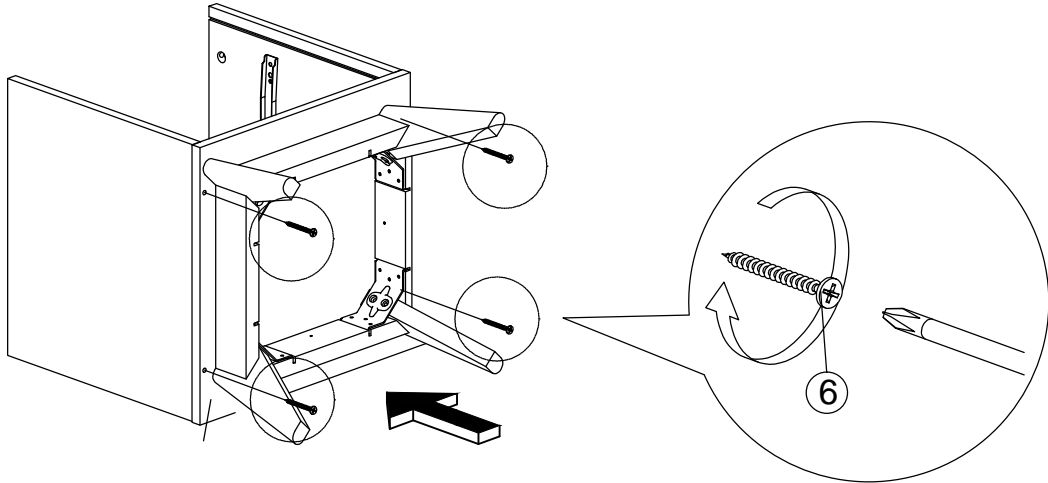


STEP 7

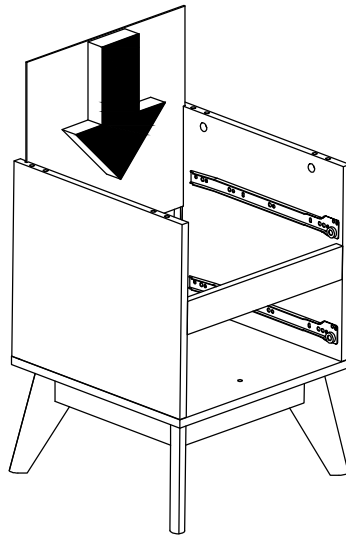


Assembly Instruction

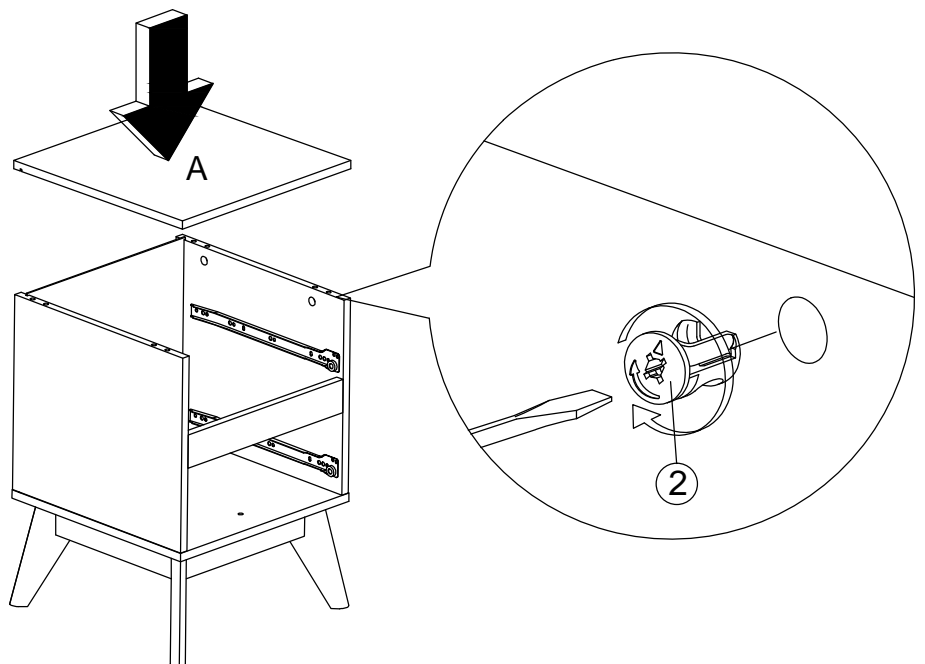
STEP 8



STEP 9

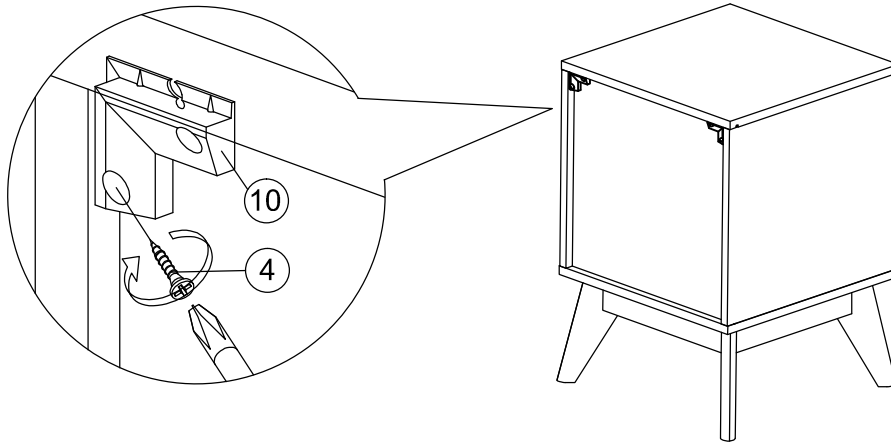


STEP 10

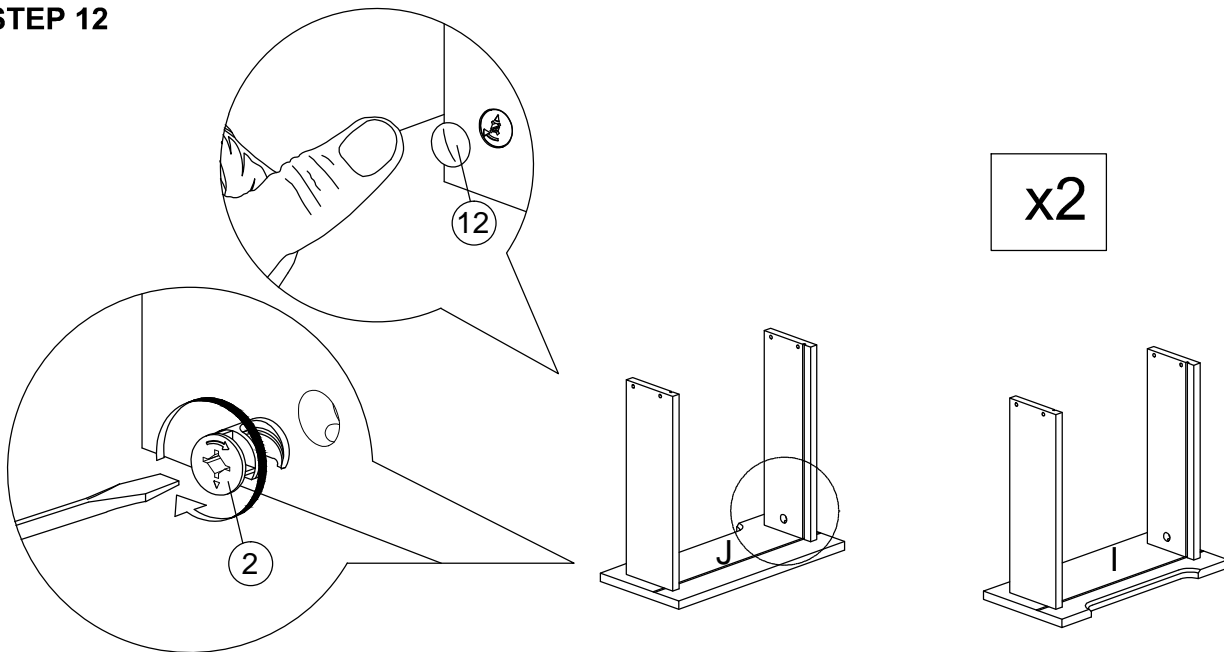


Assembly Instruction

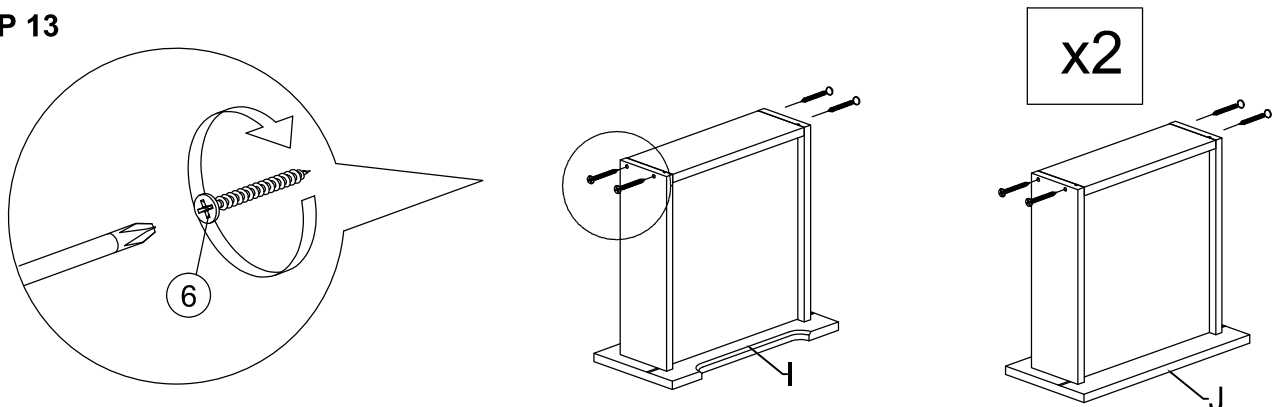
STEP 11



STEP 12

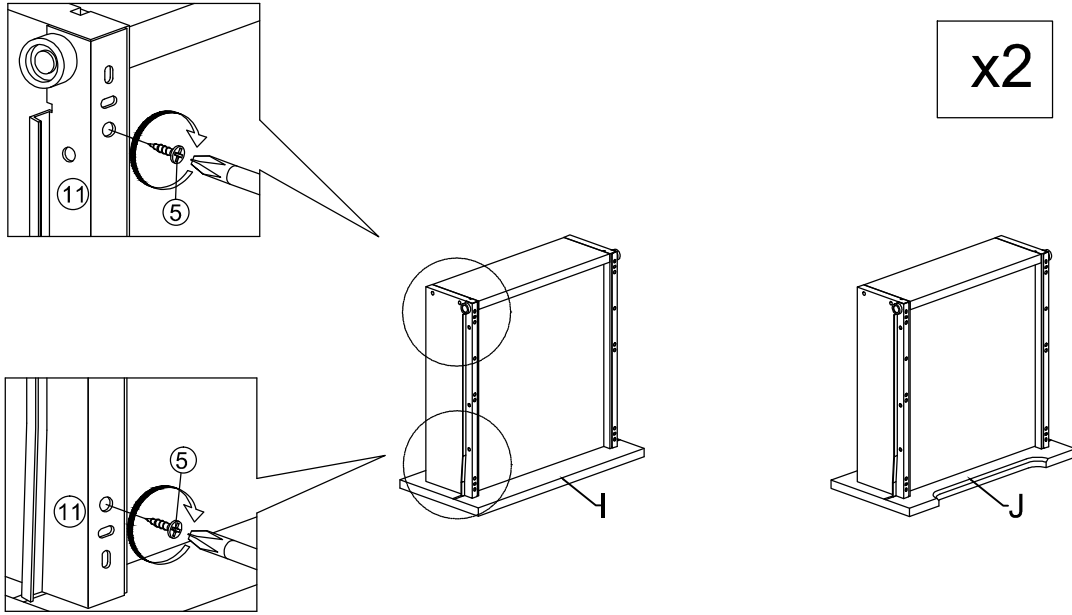


STEP 13

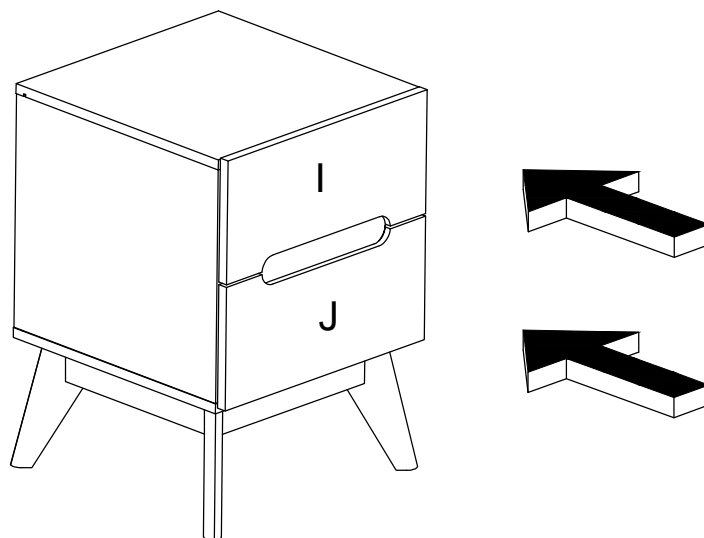


Assembly Instruction

STEP 14

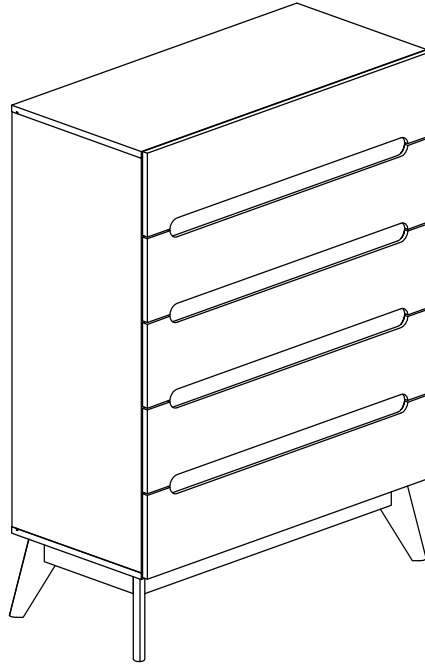


Complete

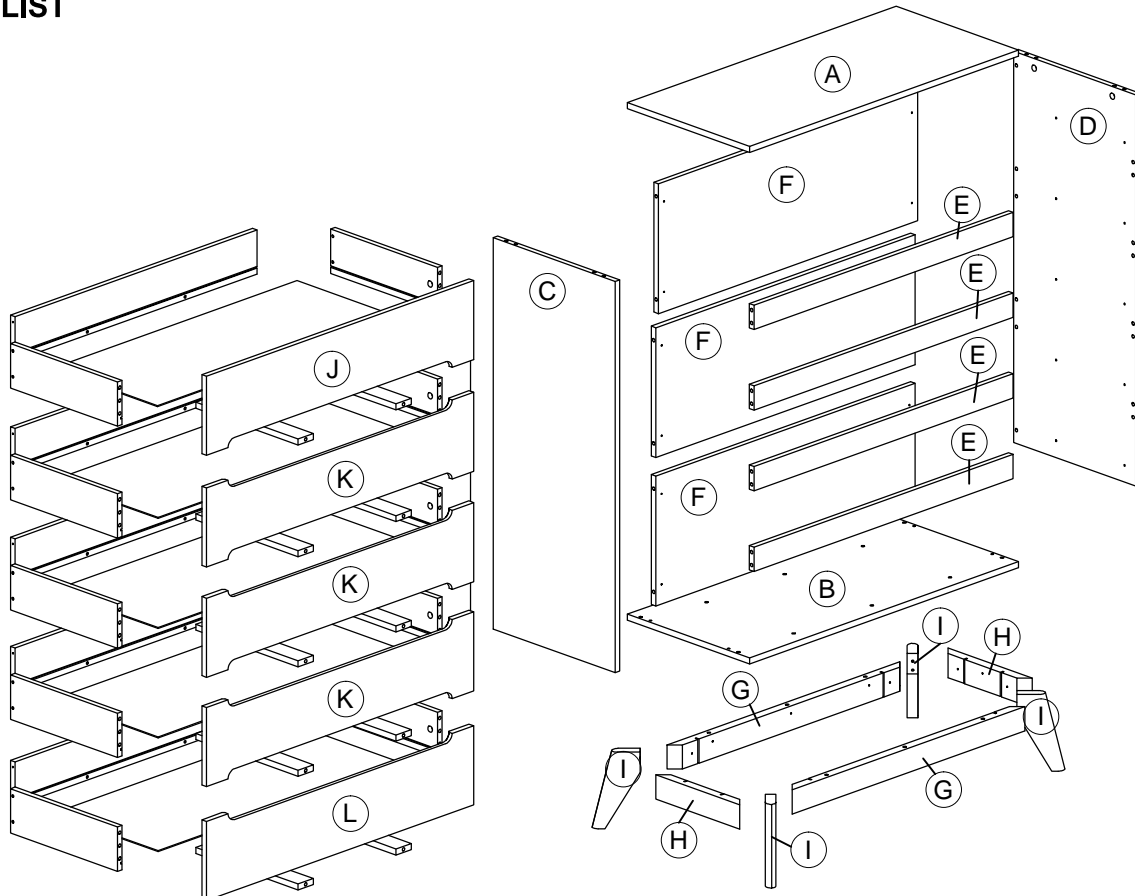


Assembly Instruction

Model : WI7501




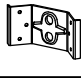

PART LIST



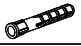
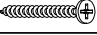

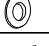

Assembly Instruction

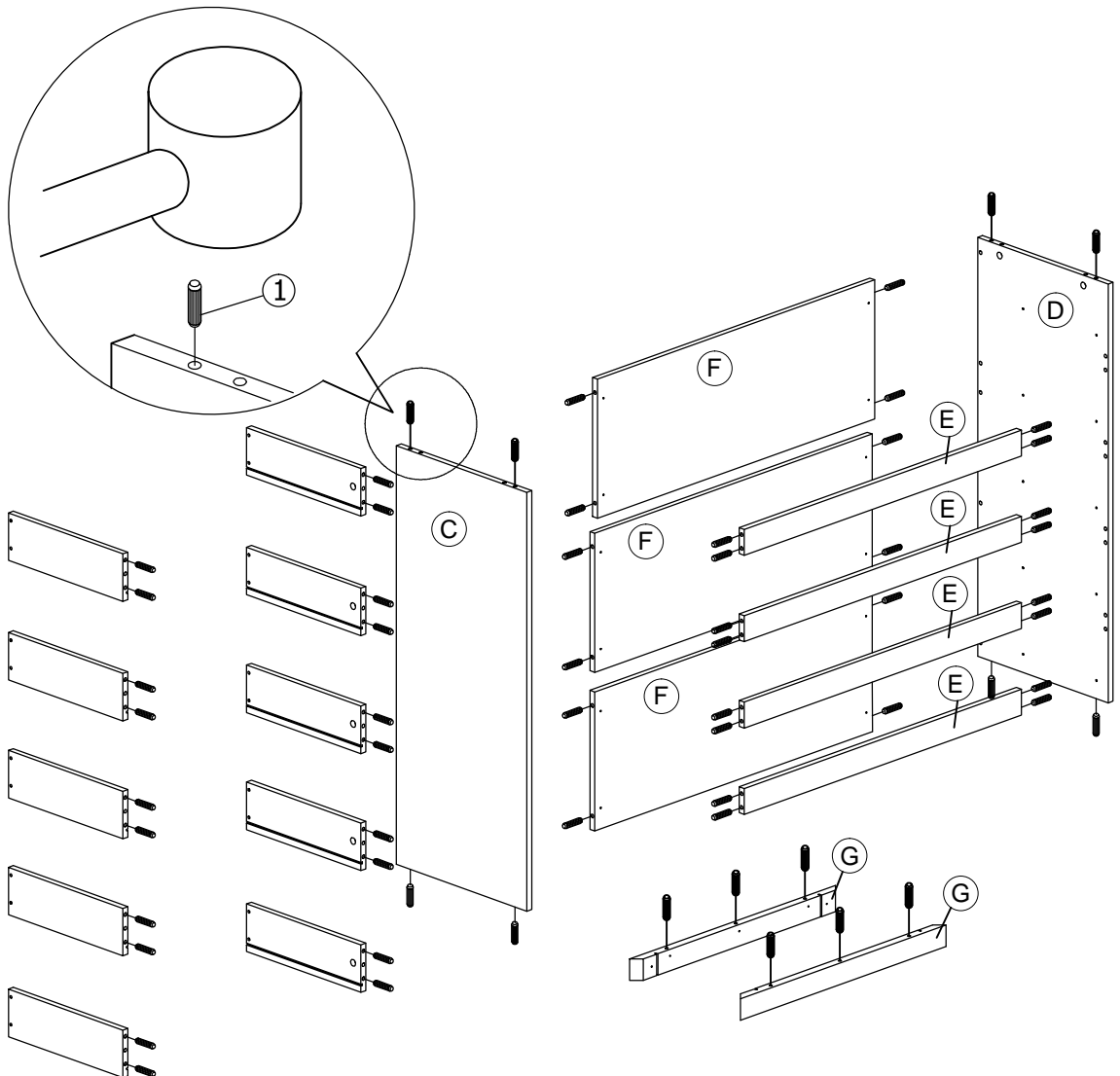
Hardware List

No.	SHAPE	DESCRIPTION	Qty.
1		8x25mm Wood Dowel	62Pcs
2		15MM Myfix Minifix	24Sets
3		M5x8mm Screw (Euro Screw)	20Pcs
4		M3.5x15mm Screw	110Pcs
5		M4x38mm Screw	34Pcs
6		Jcbc 'W' M6 x 40mm	8Pcs
7		L Bracket	28Pcs
8		Nail Leg	4Pcs
9		Metal Drawer Slide 12" (300mm)	5Sets

10		Minifix Cap	10Pcs
11		Metal Corner Bracket	4Pcs
12		L Key	1Pc

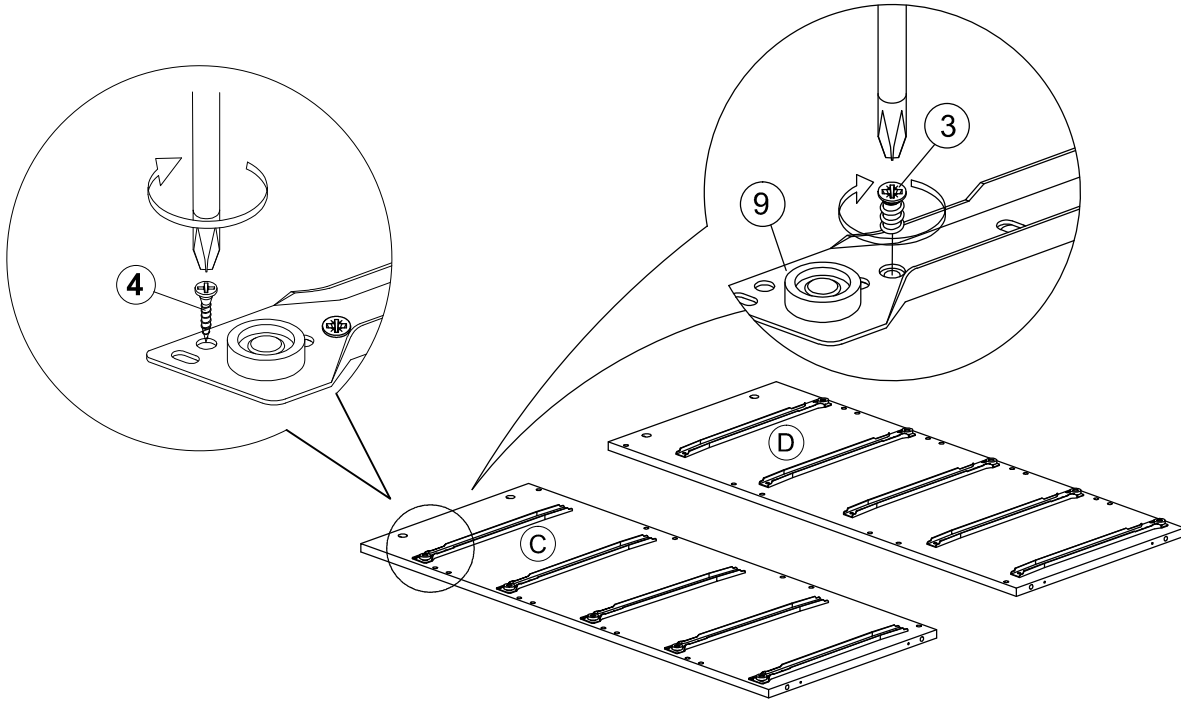
Packing Tipping Restraint

13		Wall Plug	2Pcs
14		M4x30mm Screw	2Pcs
15		Safety Strap	2Pcs
16		Flat Washer 6x19x2mm	4Pcs
17		M3.5x15mm Screw	2Pcs

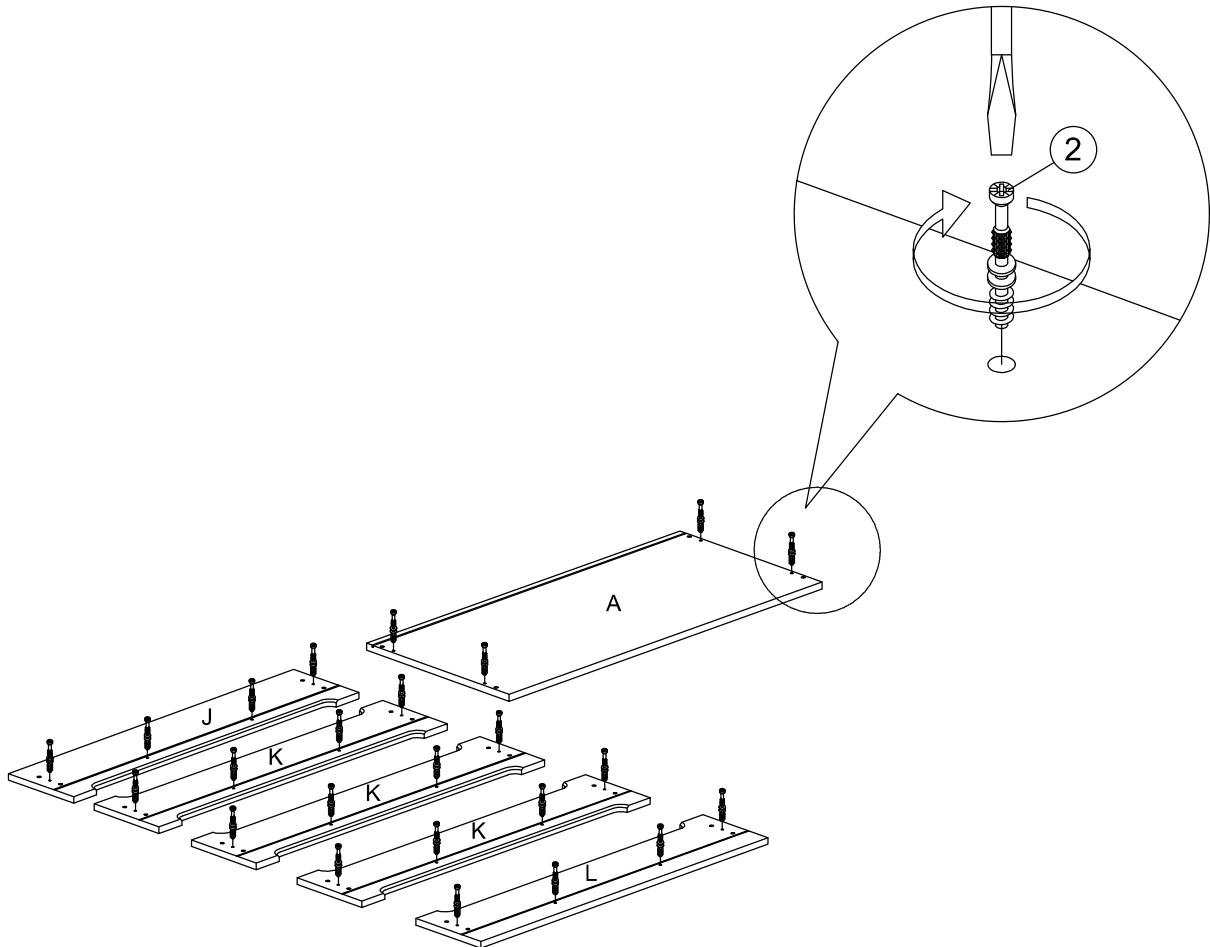


Assembly Instruction

STEP 2

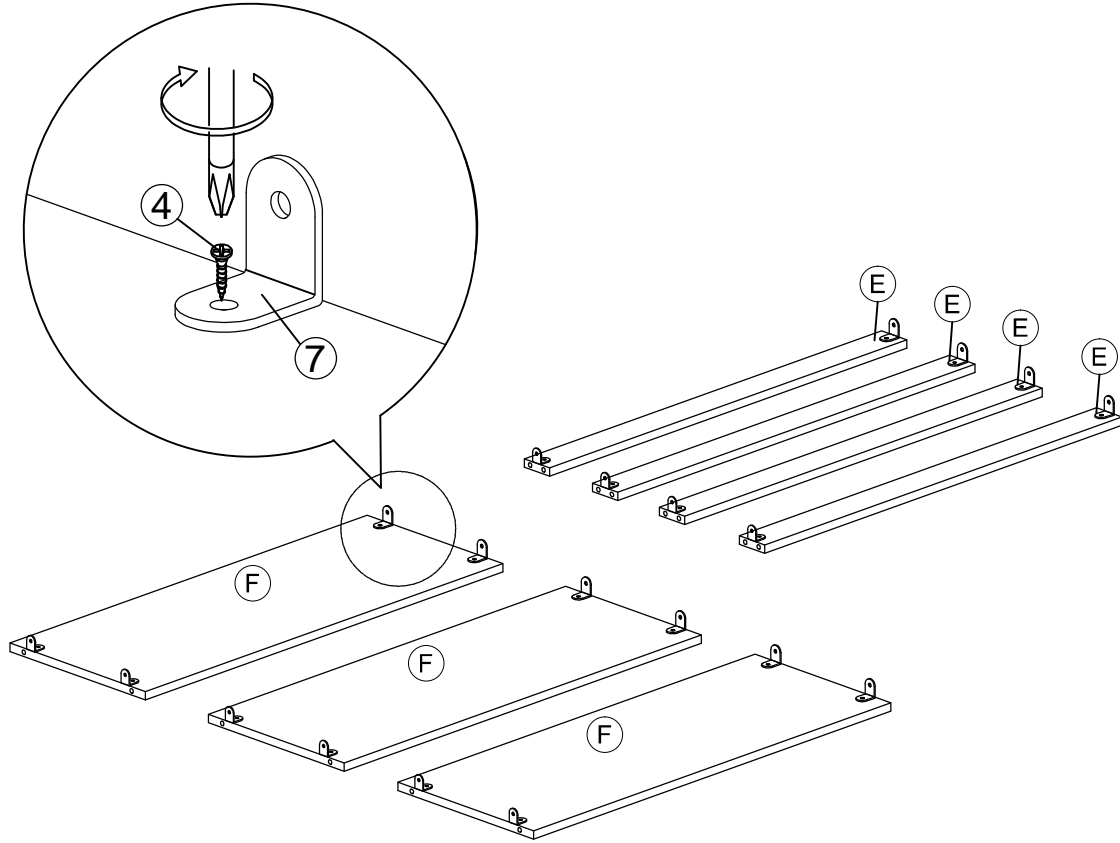


STEP 3

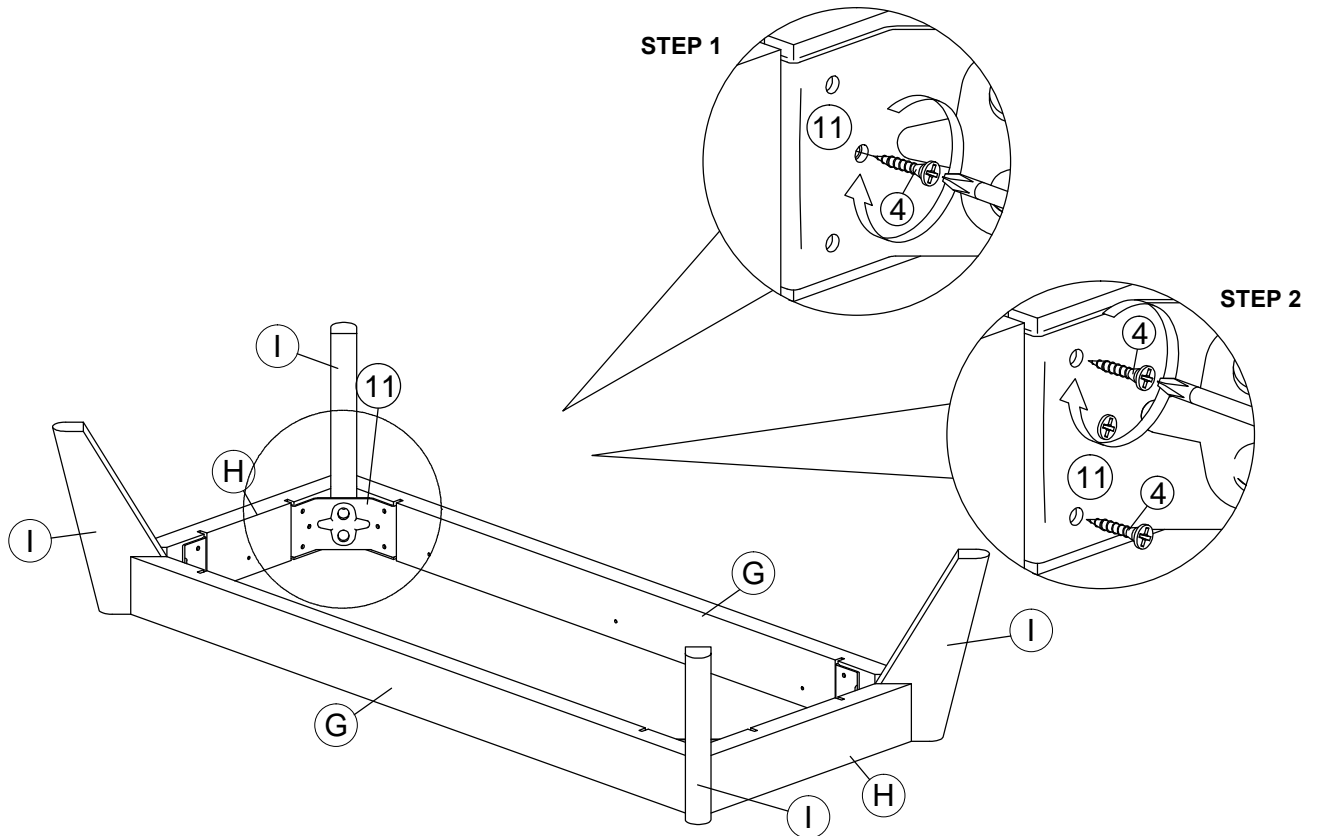


Assembly Instruction

STEP 4

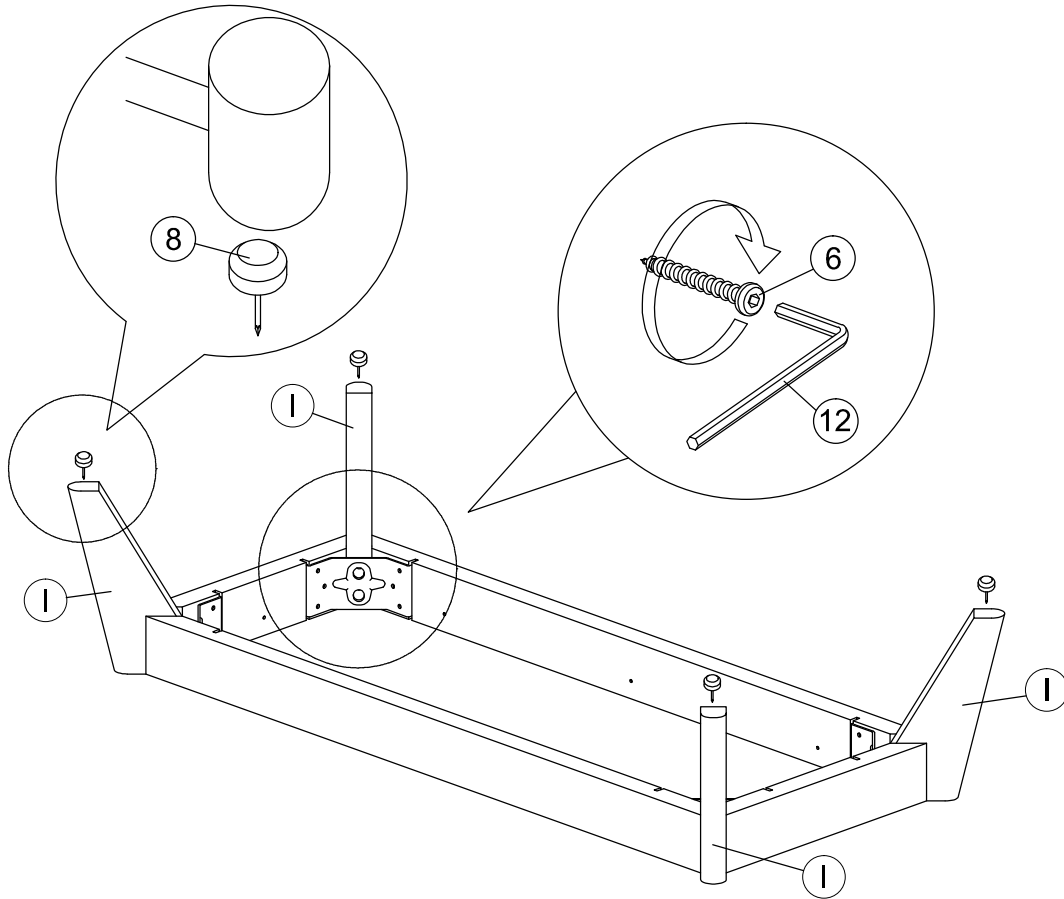


STEP 5

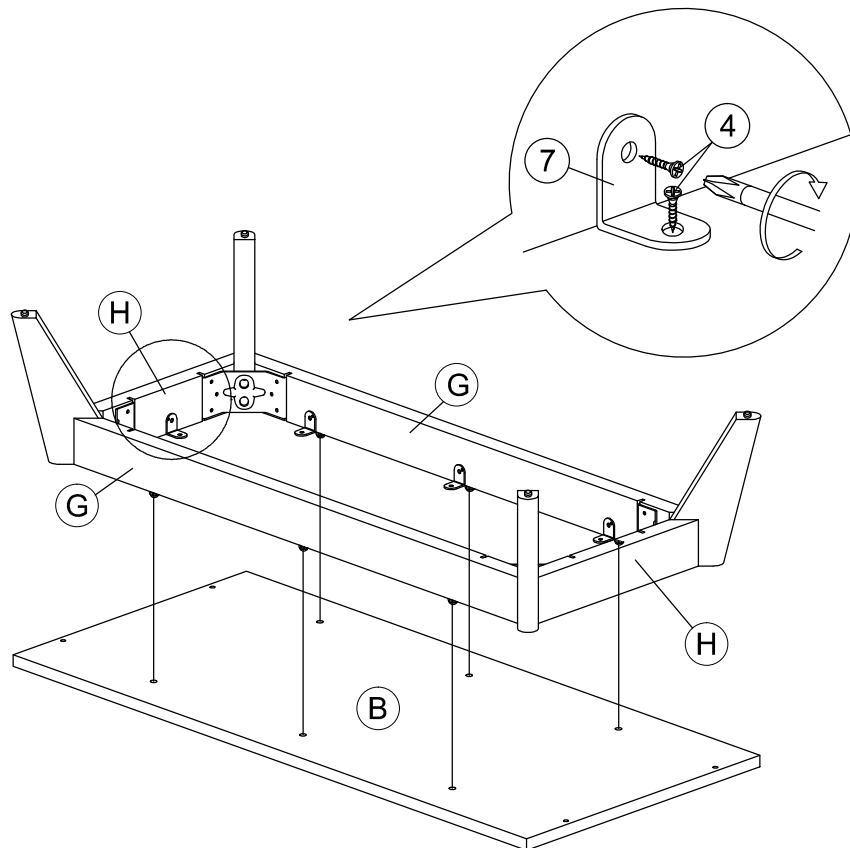


Assembly Instruction

STEP 6

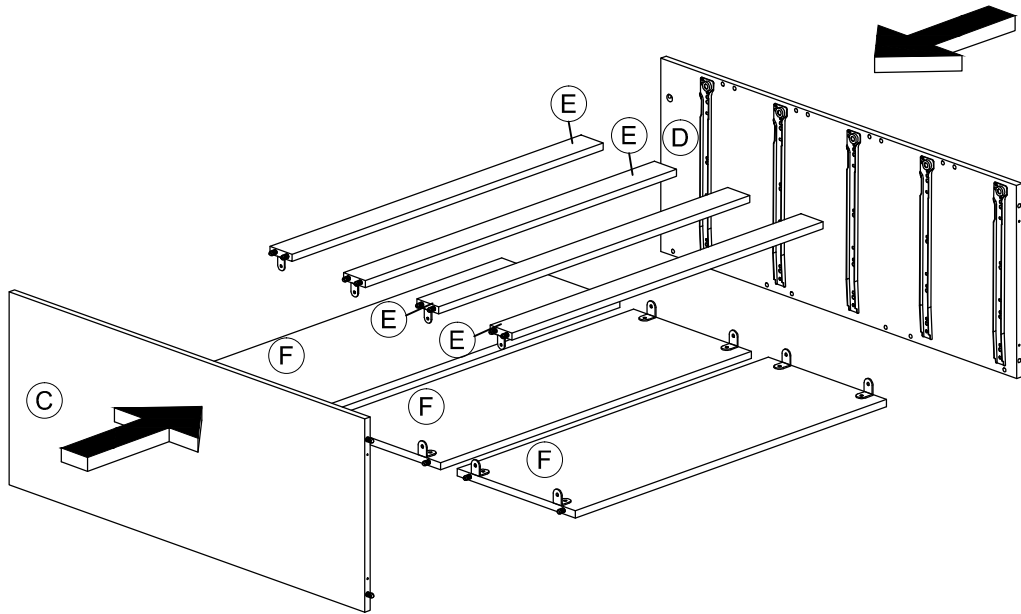


STEP 7

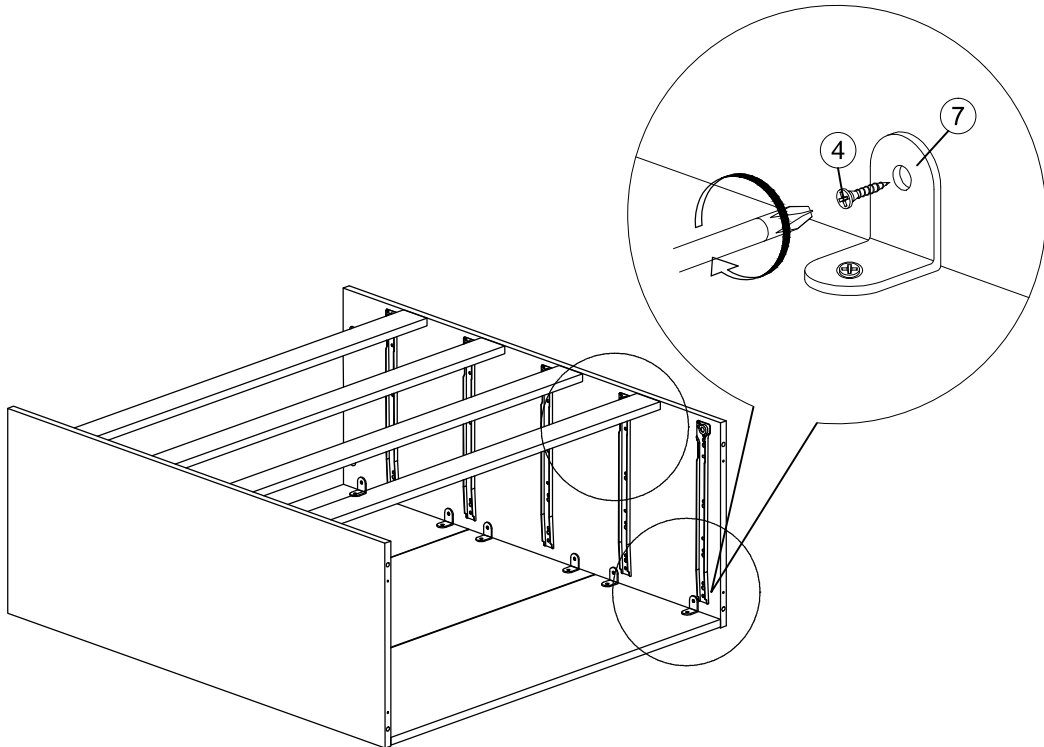


Assembly Instruction

STEP 8

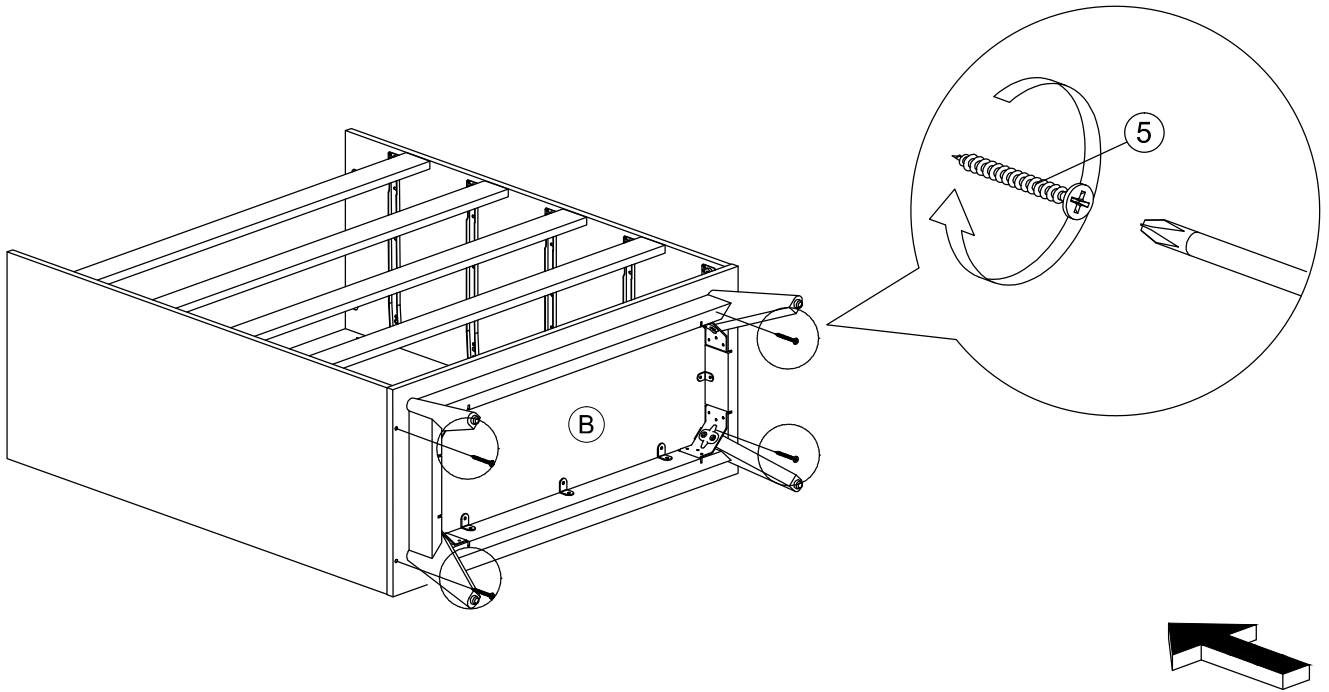


STEP 9

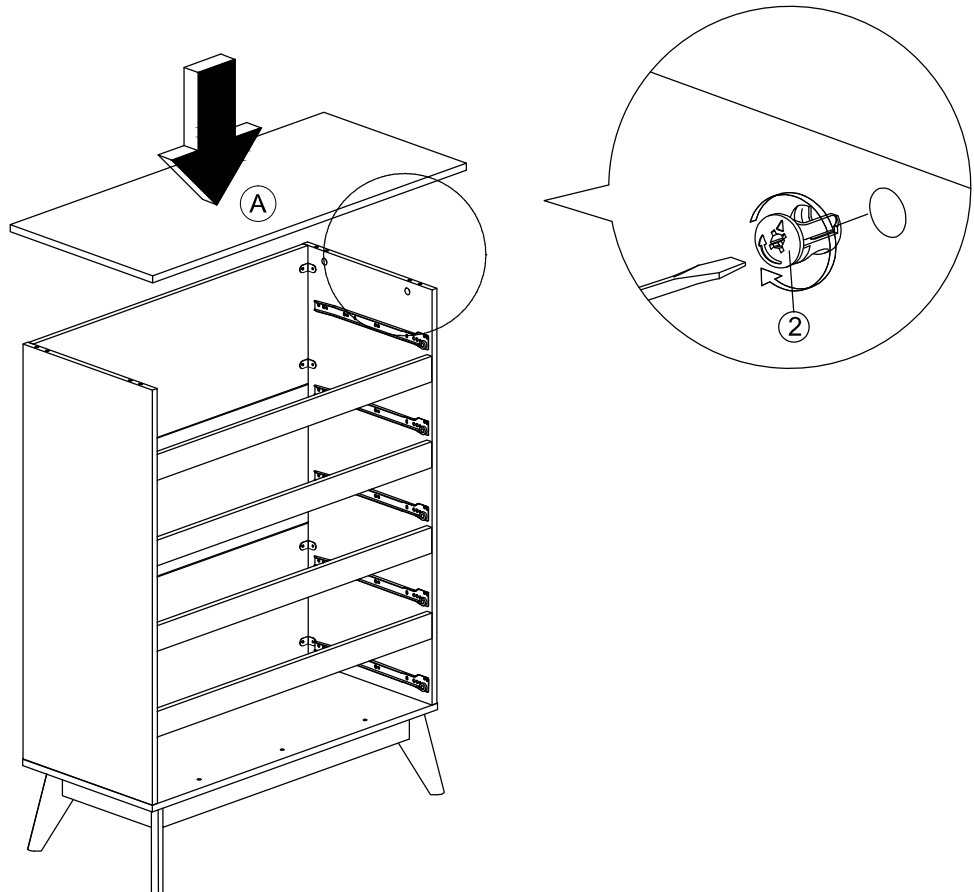


Assembly Instruction

STEP 10

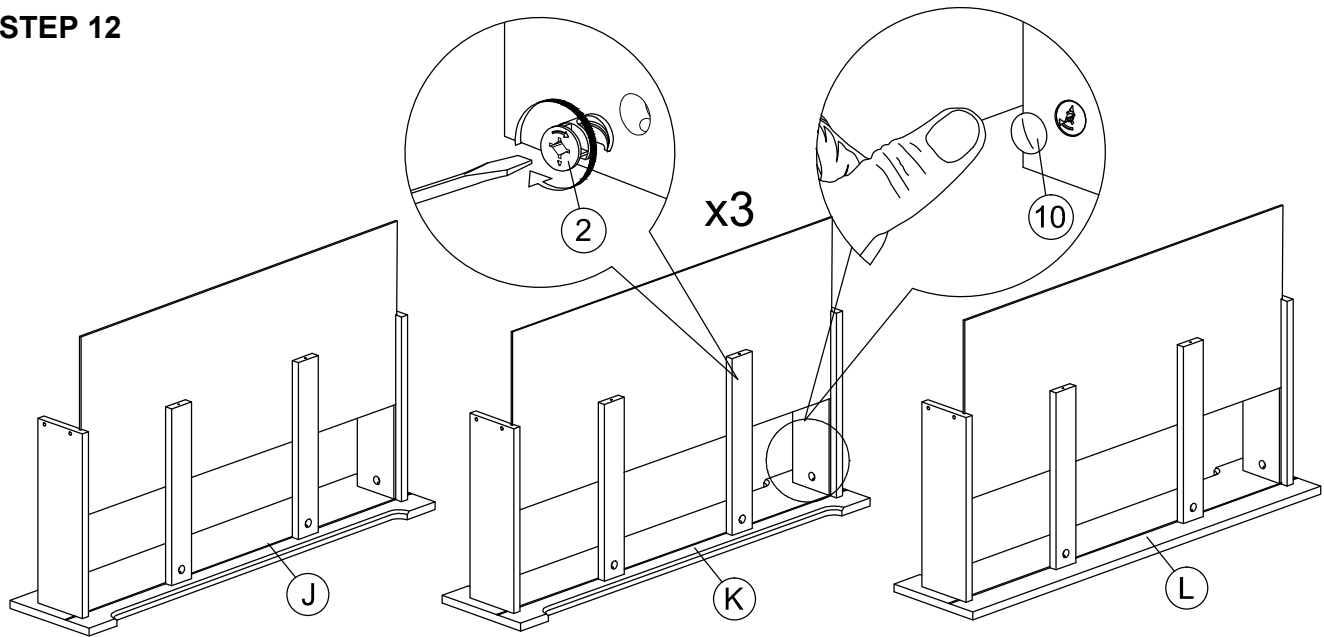


STEP 11

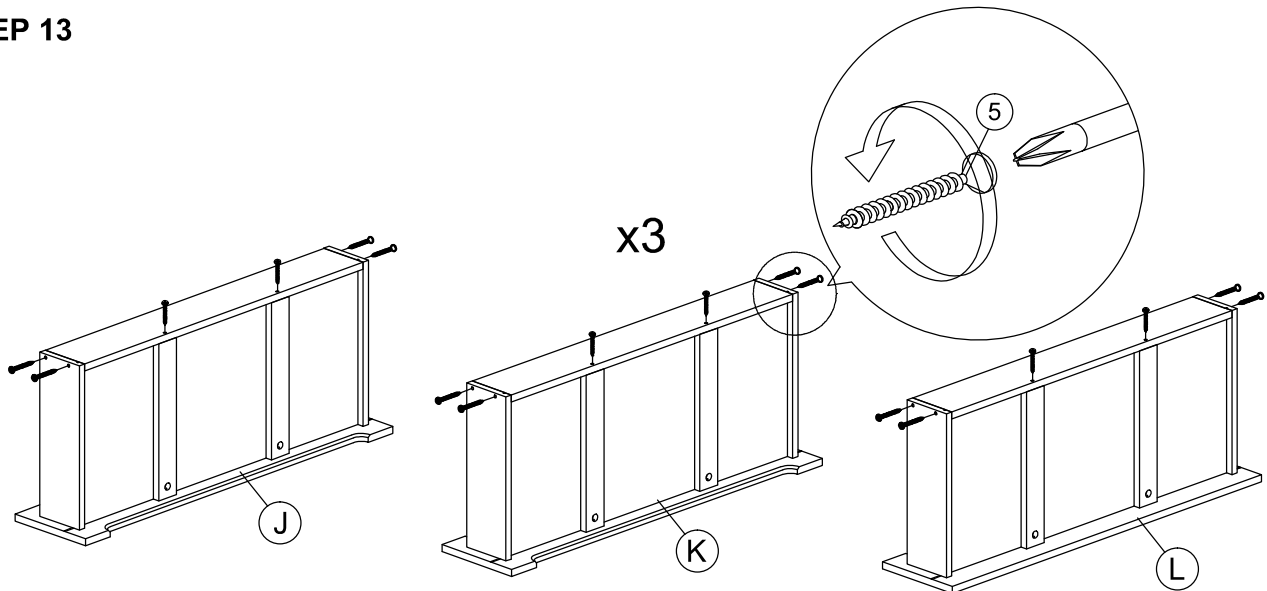


Assembly Instruction

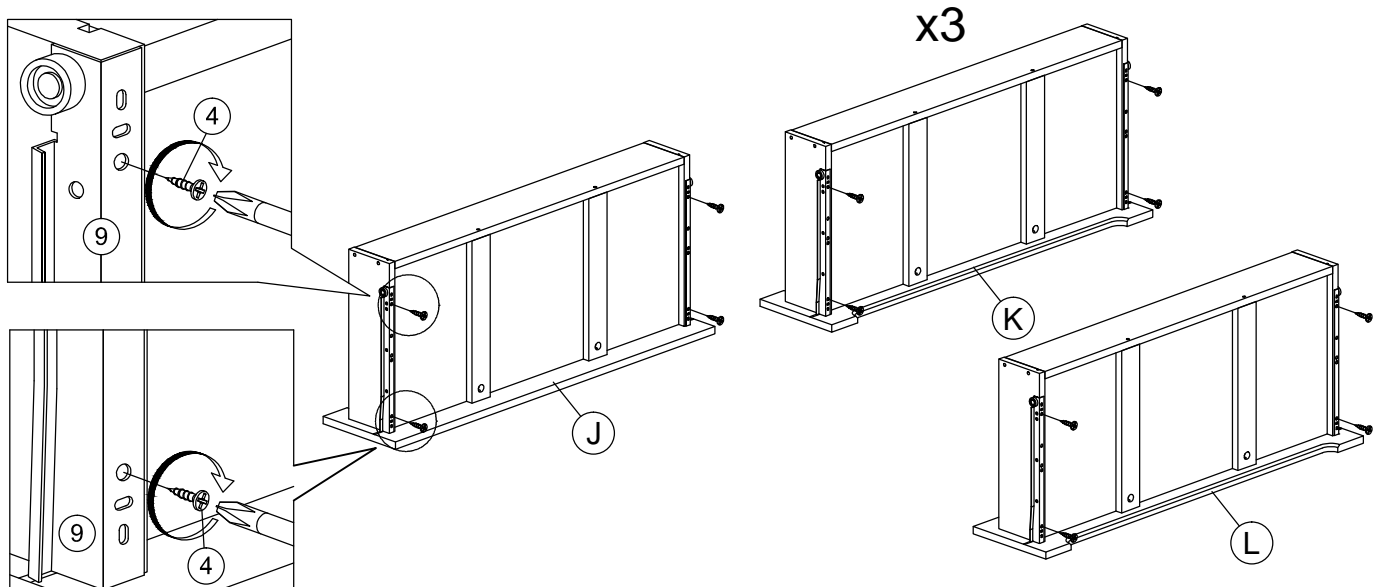
STEP 12



STEP 13

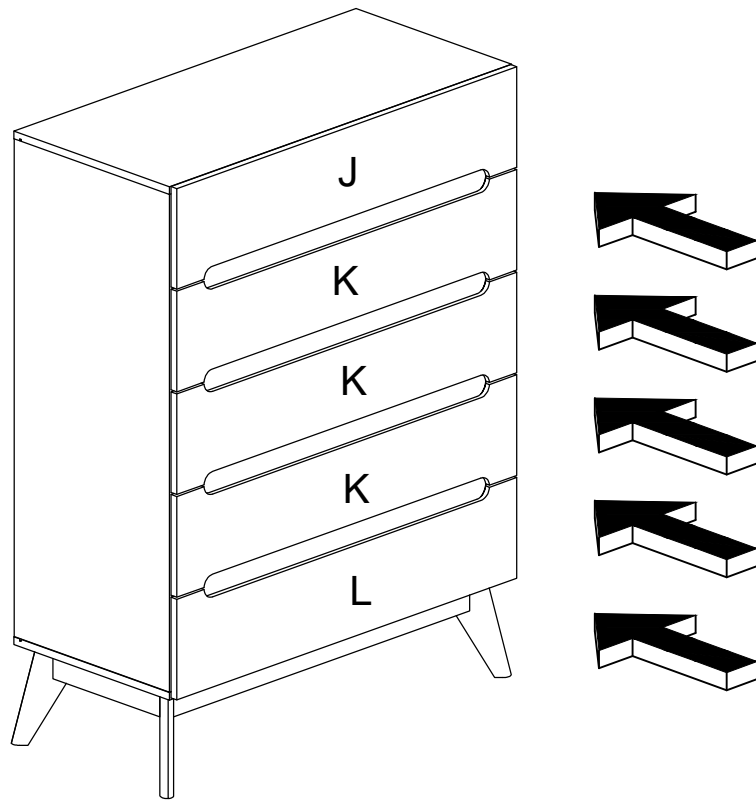


STEP 14

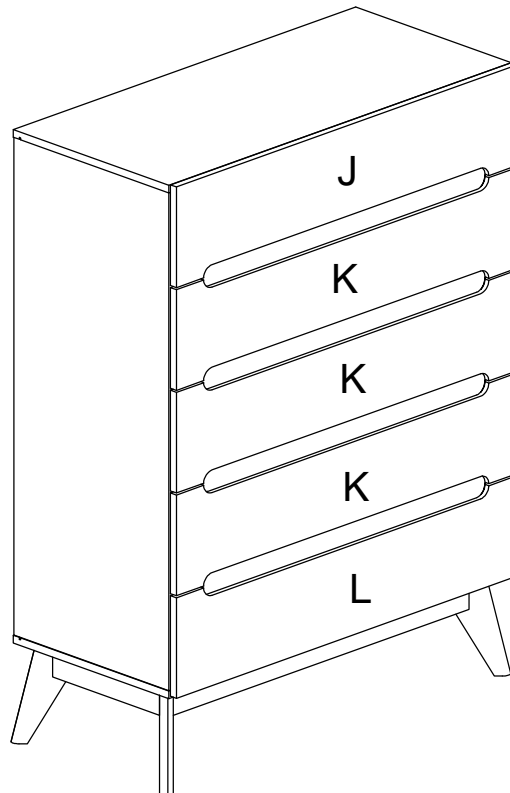


Assembly Instruction

STEP 15

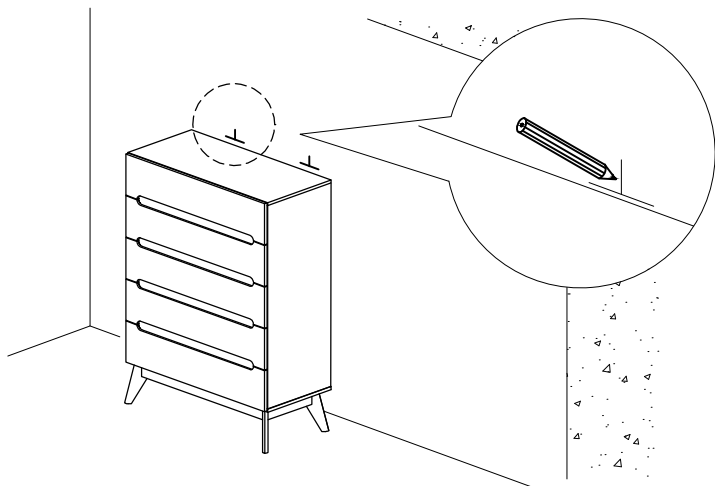


STEP 16

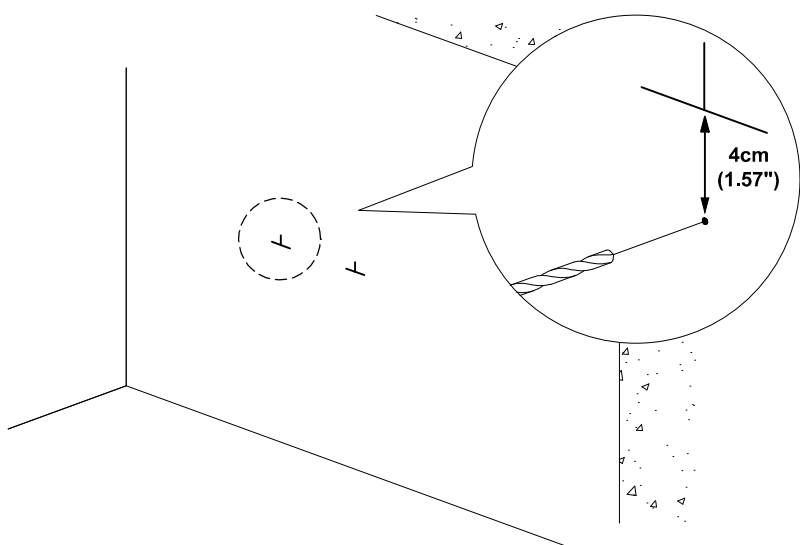


FURNITURE TIPPING RESTRAINT

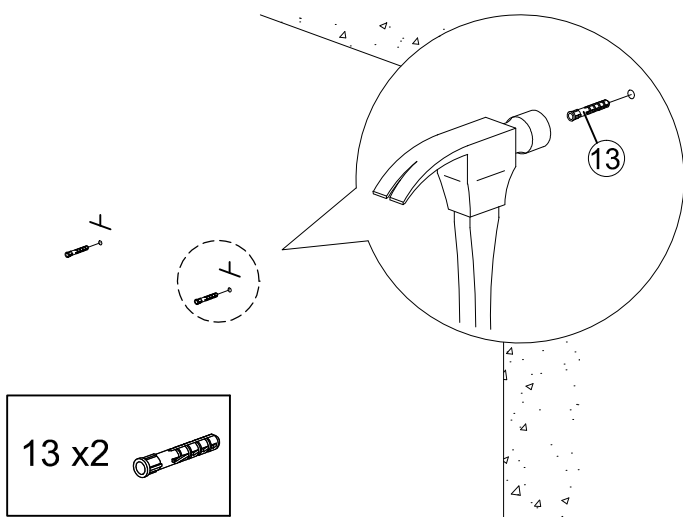
1. First mark the wall with pencil as in diagram.



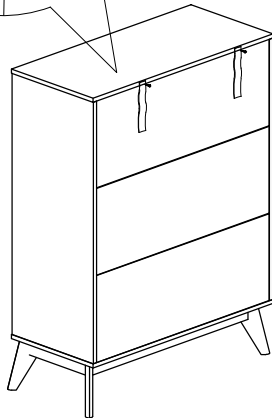
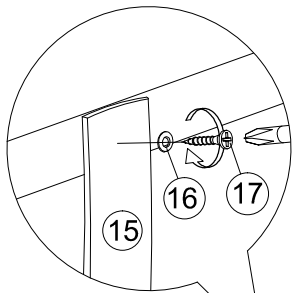
2. Drill small hole at the pencil mark.



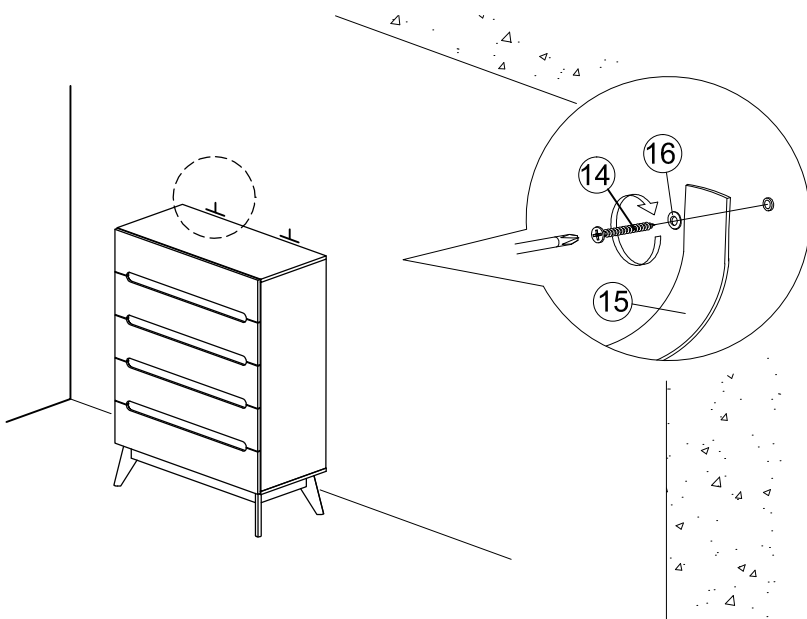
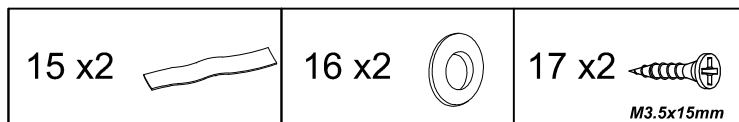
3. Insert plastic wall plug (13).



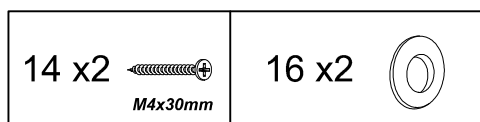
FURNITURE TIPPING RESTRAINT

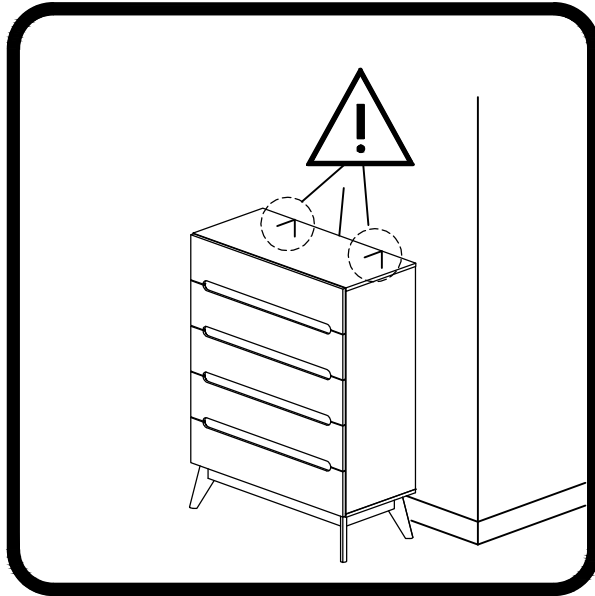


4. Add safety strap (15), washer (16) using 3.5x15mm screw (17) to back of cabinet.



5. Finally, attach safety strap (15) and washer (16) using 4x30mm screw (14) to the wall.





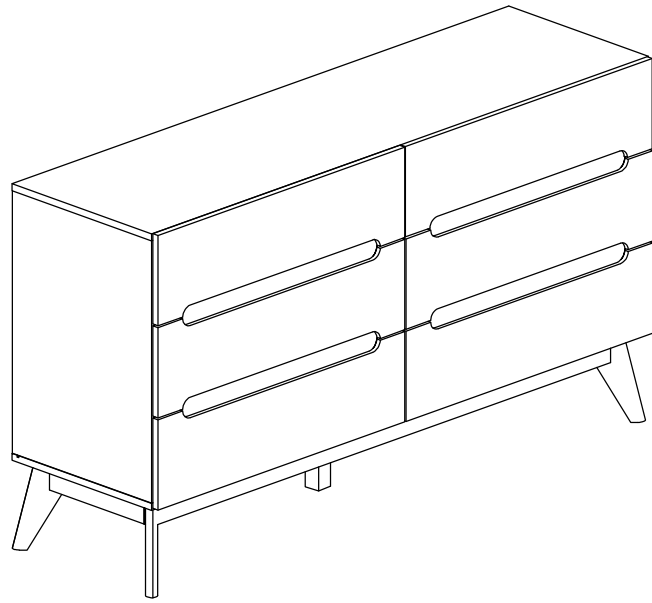
⚠ WARNING	
	<p>Serious or fatal crushing injuries can occur from furniture tip-over. To help prevent tip-over:</p> <ul style="list-style-type: none"> • Install tipover restraint provided. • Place heaviest items in the lowest drawers. • Do not set TV's or other heavy objects on top of this product, unless the product is specifically designed to accommodate them. • Never allow children to climb or hang on drawers, doors, or shelves. • Never open more than one drawer at a time. <p>(OR)</p> <ul style="list-style-type: none"> • Do not defeat or remove the drawer interlock system. <p>Use of tip-over restraints may only reduce, but not eliminate, the risk of tip-over.</p> <p><i>This is a permanent label. Do not remove!</i></p>



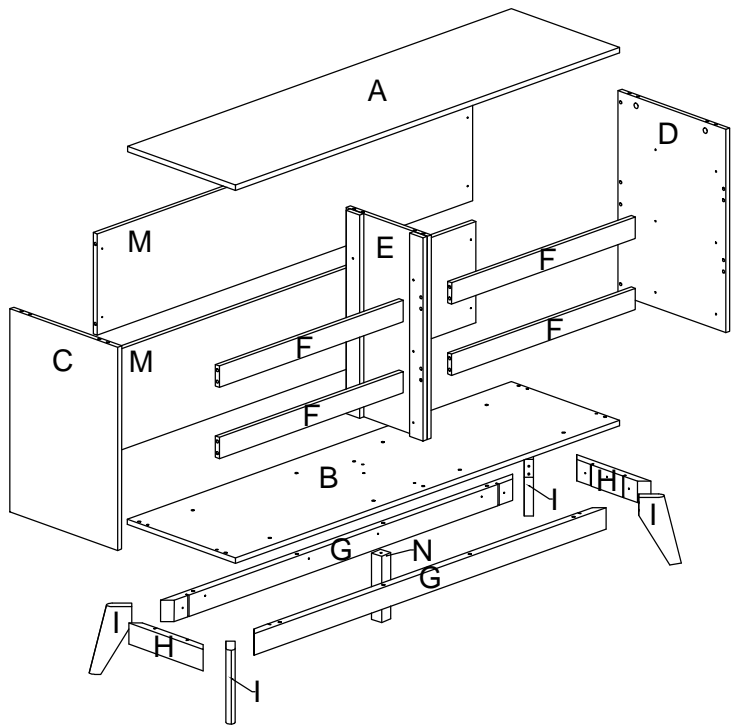
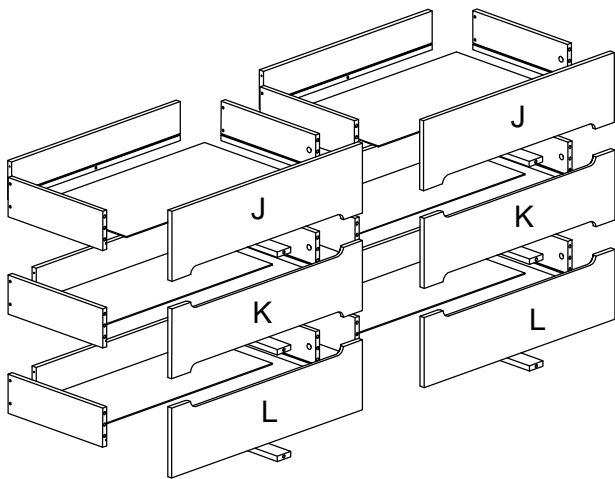
Anti-Topple hardware included for added safety and stability

Assembly Instruction

Model : WI7502




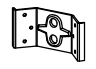
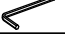

PART LIST






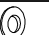

Assembly Instruction

Hardware List

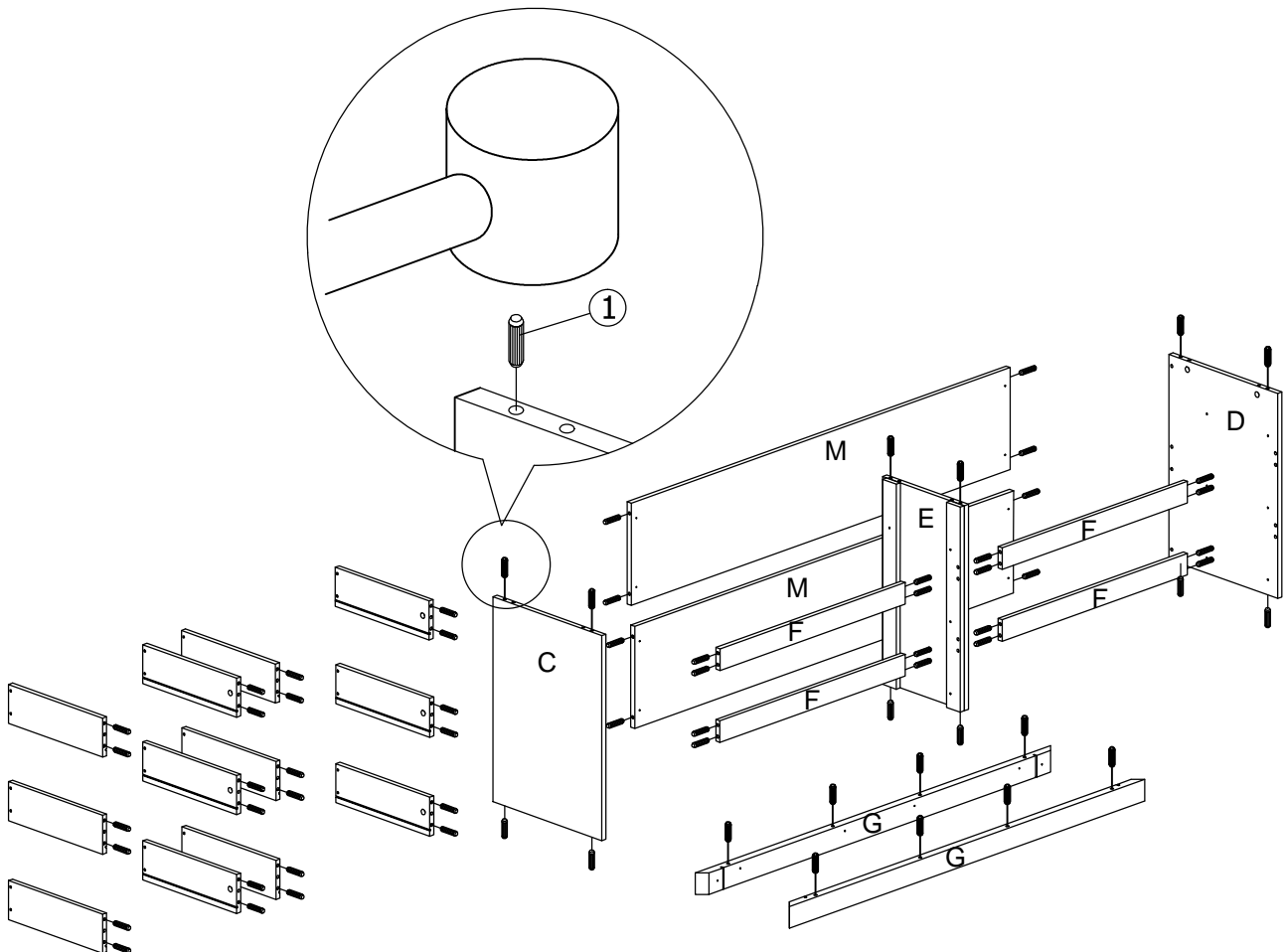
No.	SHAPE	DESCRIPTION	Qty.
1		8x25mm Wood Dowel	68Pcs
2		15MM Myfix Minifix	24Sets
3		M5x8mm Screw (Euro Screw)	24Pcs
4		M3.5x15mm Screw	116Pcs
5		M4x38mm Screw	36Pcs
6		Jcbc 'W' M6 x 40mm	9Pcs
7		L Bracket	28Pcs
8		Nail Leg	4Pcs
9		Metal Drawer Slide 12" (300mm)	6 Sets

10		Minifix Cap	12Pcs
11		Metal Corner Bracket	4Pcs
12		L Key	1Pc
13		Adjust Screw	1Pc

Packing Tipping Restraint

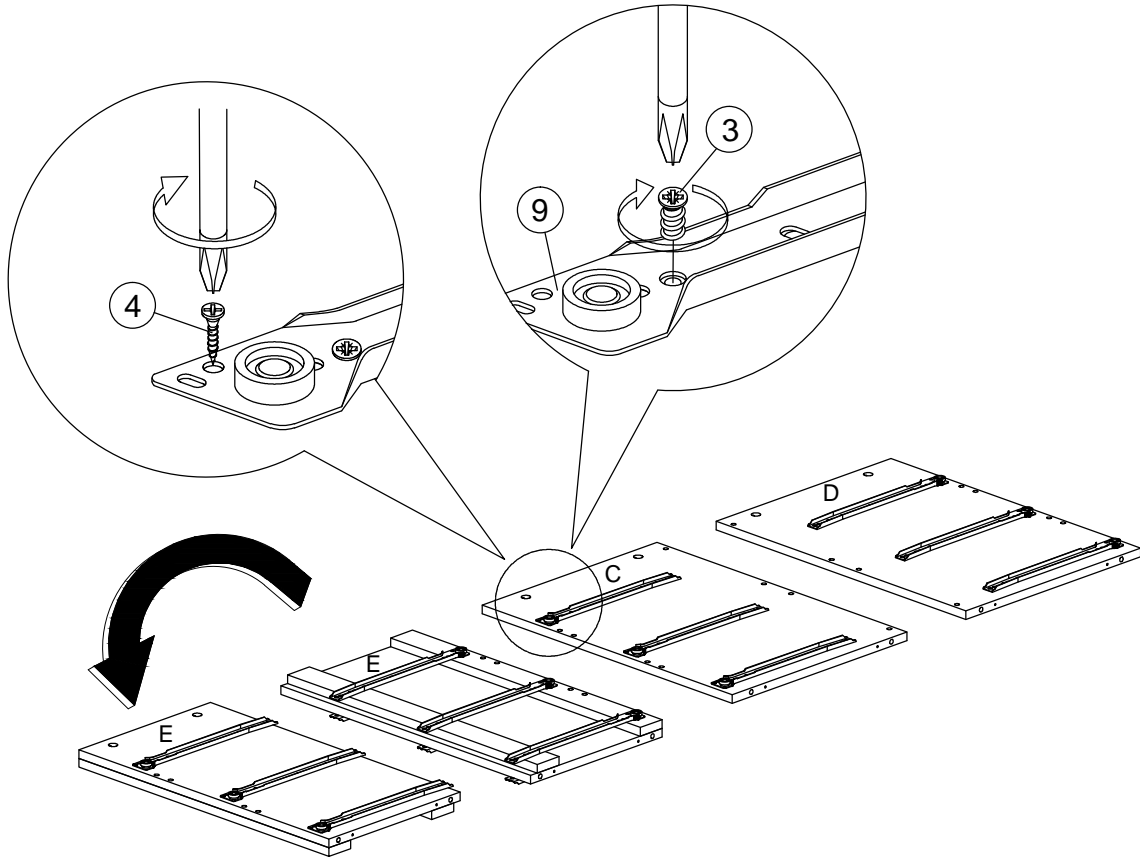
14		Wall Plug	2Pcs
15		M4x30mm Screw	2Pcs
16		Safety Strap	2Pcs
17		Flat Washer 6x19x2mm	4Pcs
18		M3.5x15mm Screw	2Pcs

STEP 1

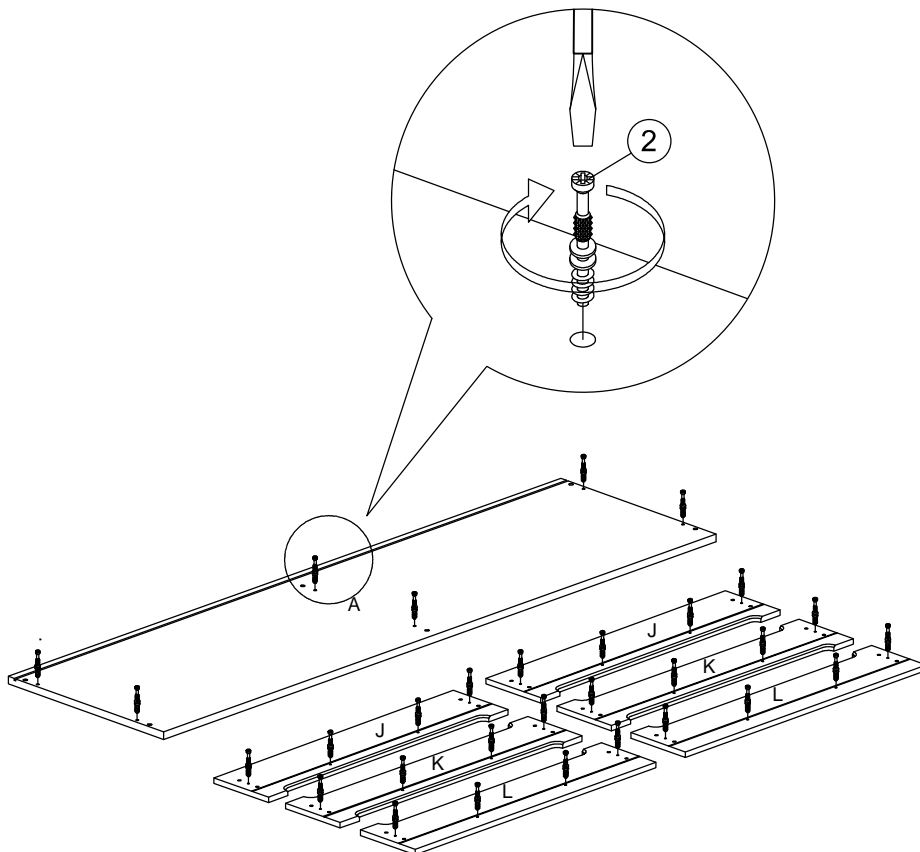


Assembly Instruction

STEP 2

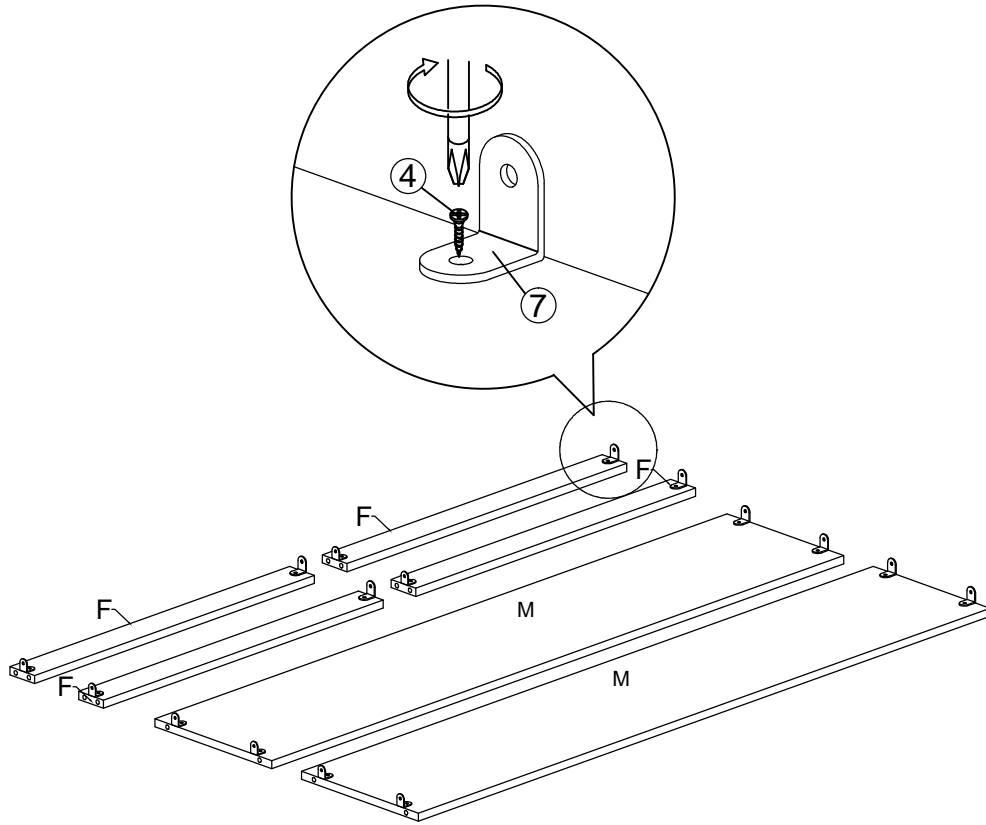


STEP 3

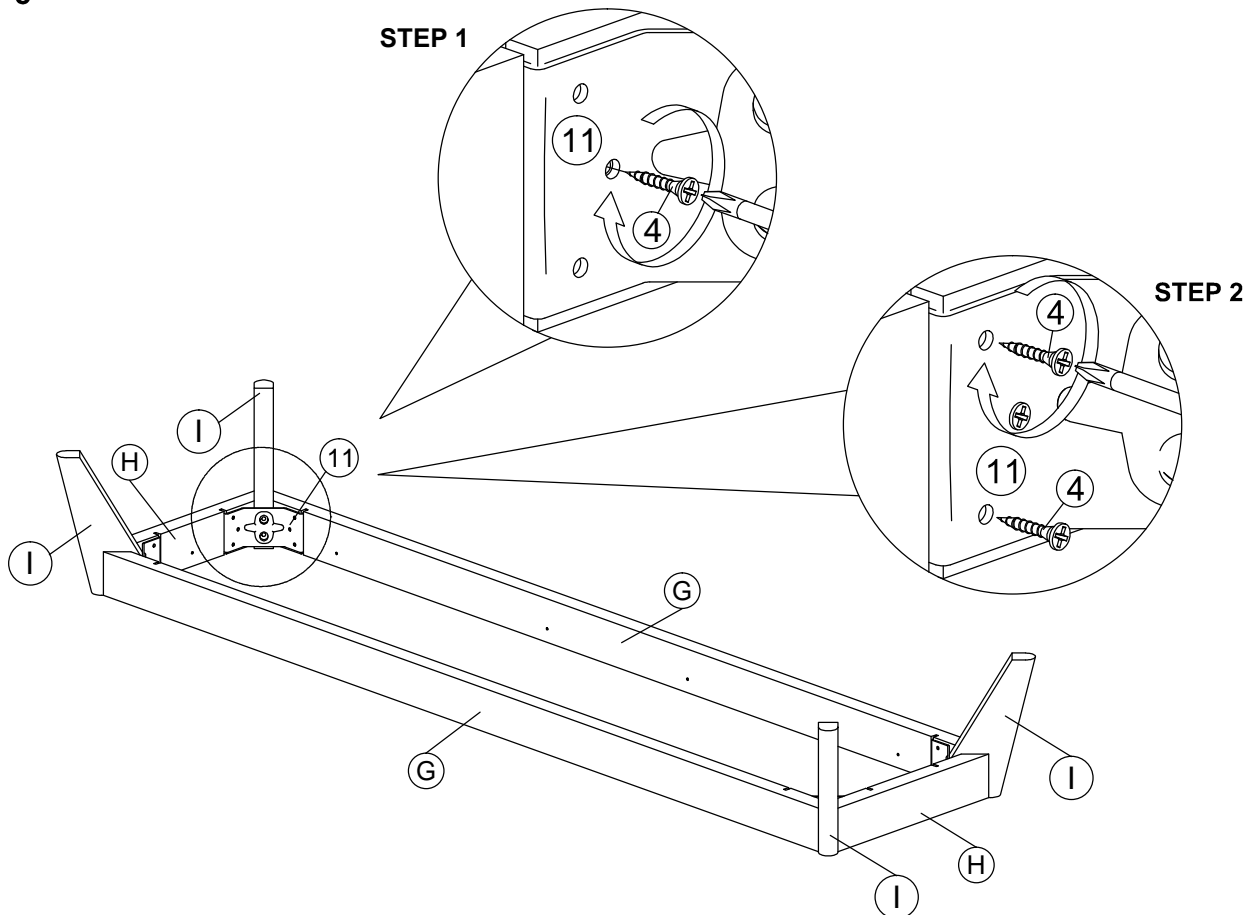


Assembly Instruction

STEP 4

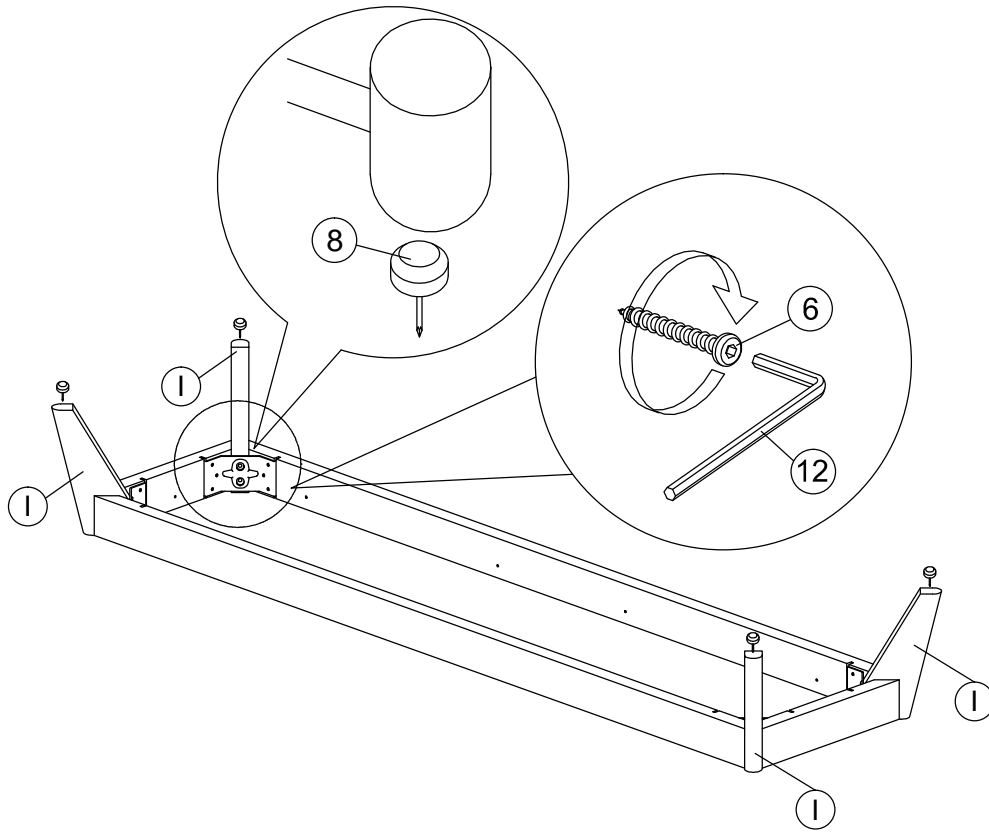


STEP 5

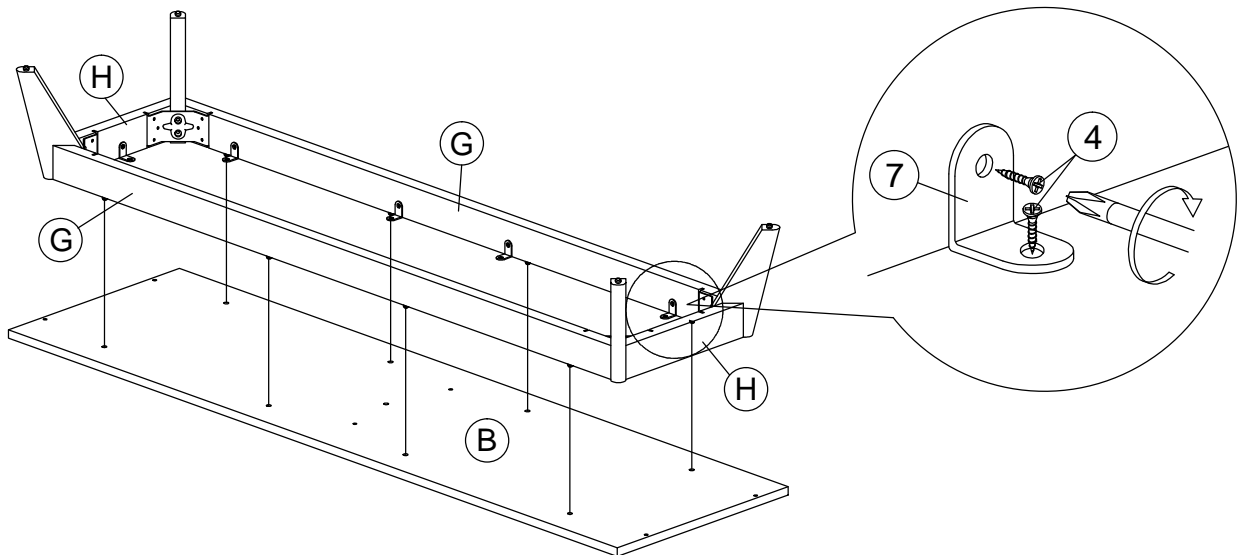


Assembly Instruction

STEP 6

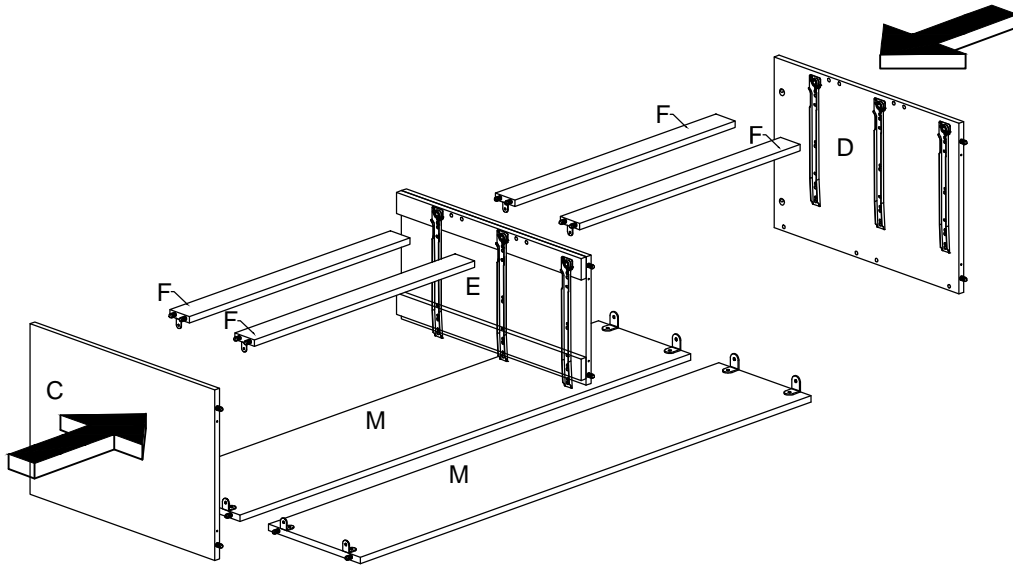


STEP 7

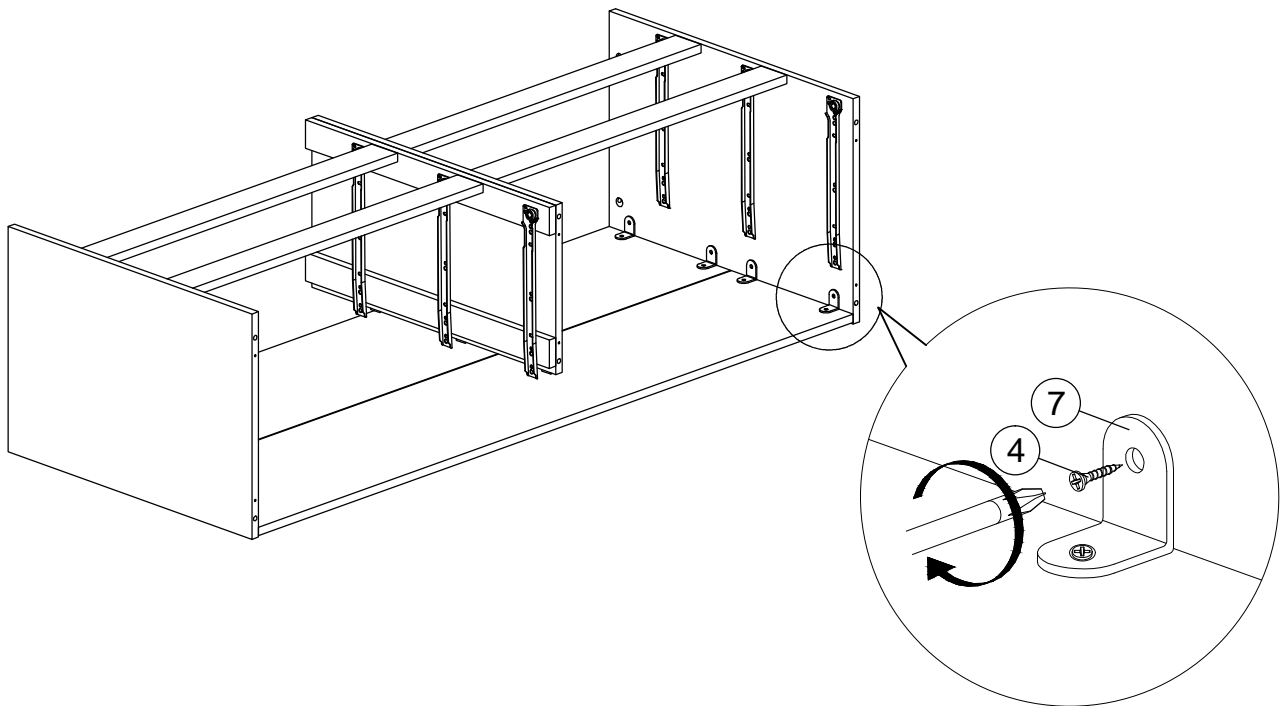


Assembly Instruction

STEP 8

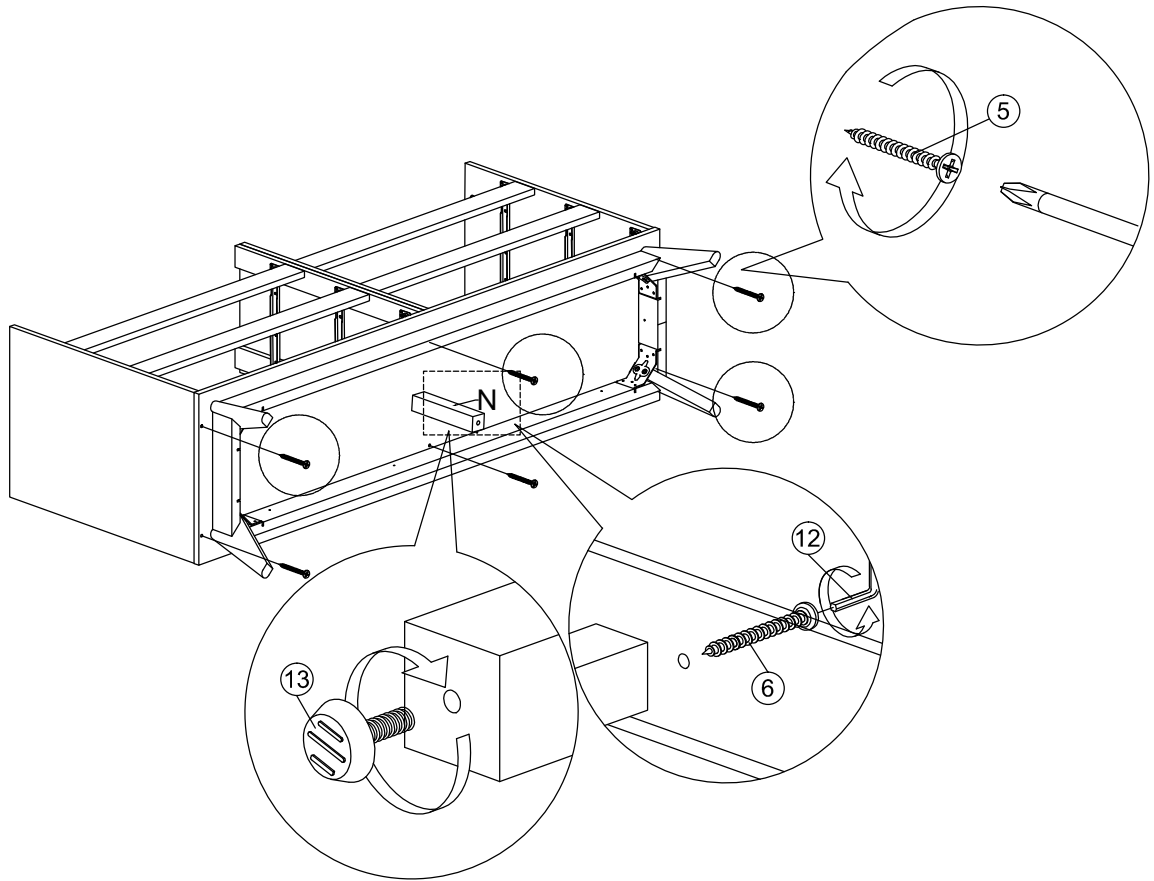


STEP 9

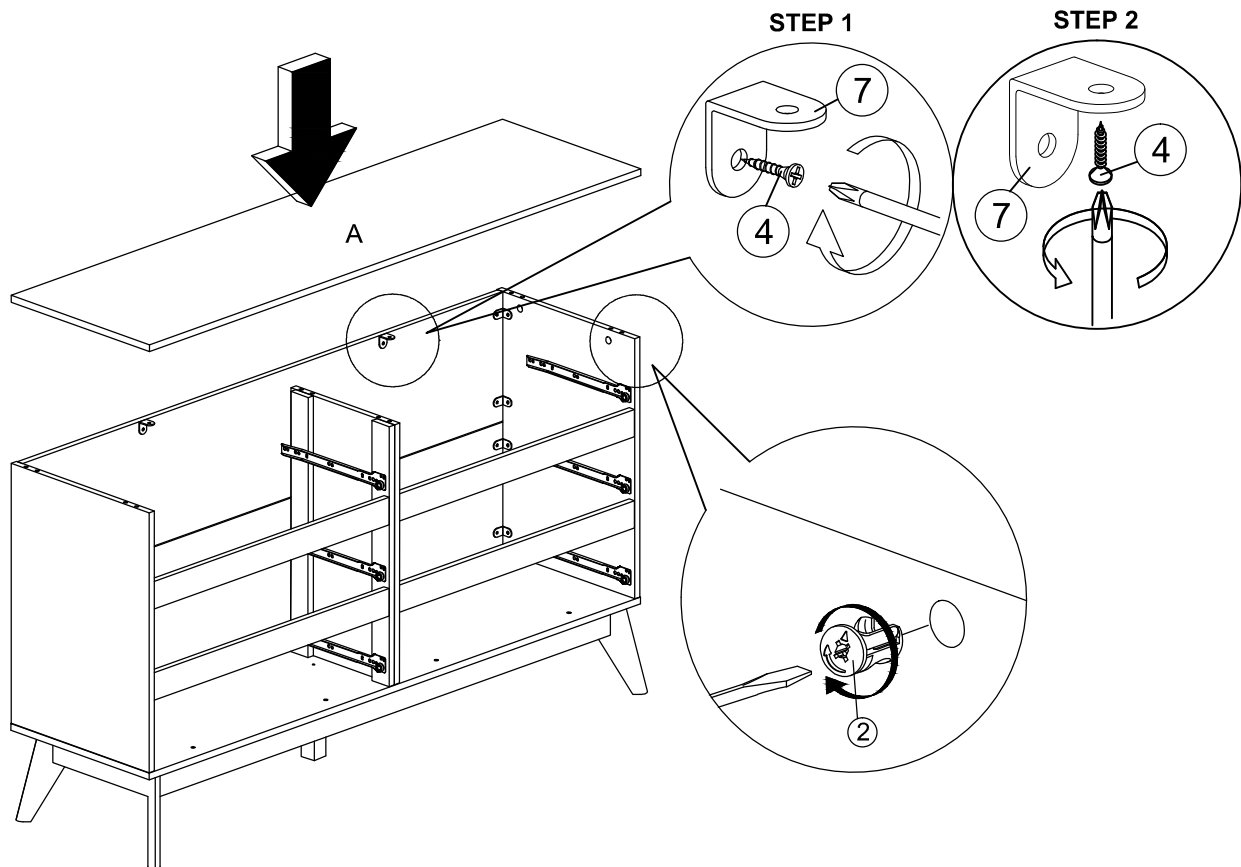


Assembly Instruction

STEP 10

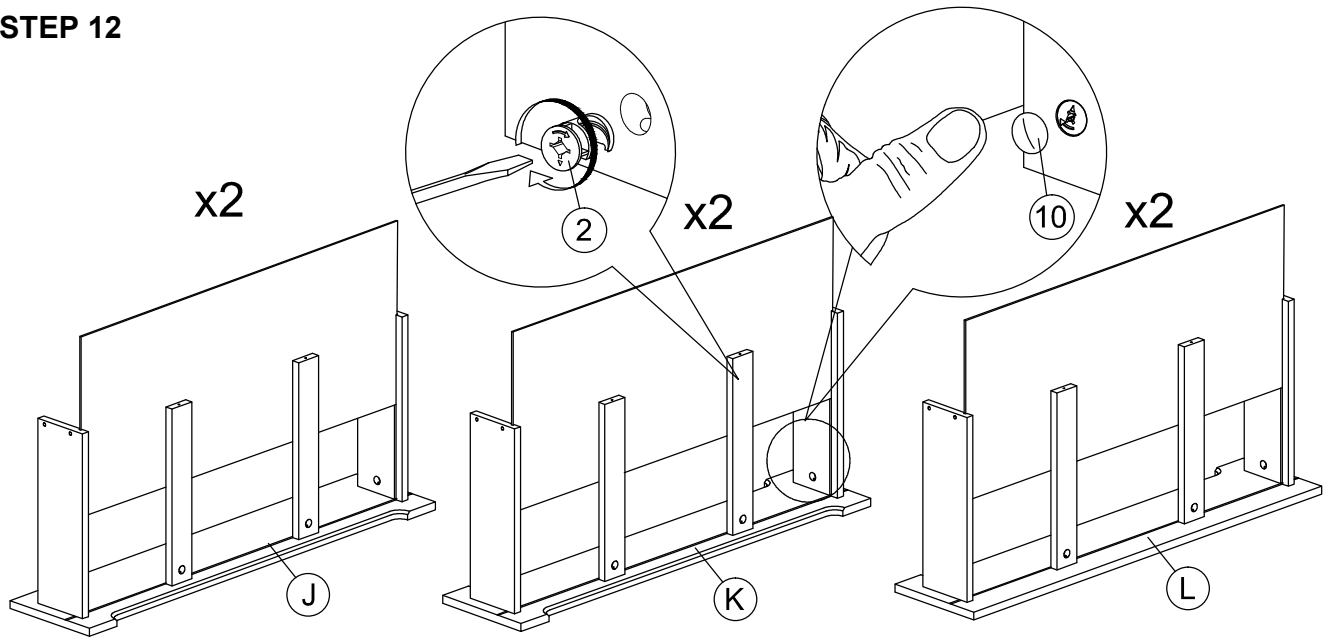


STEP 11

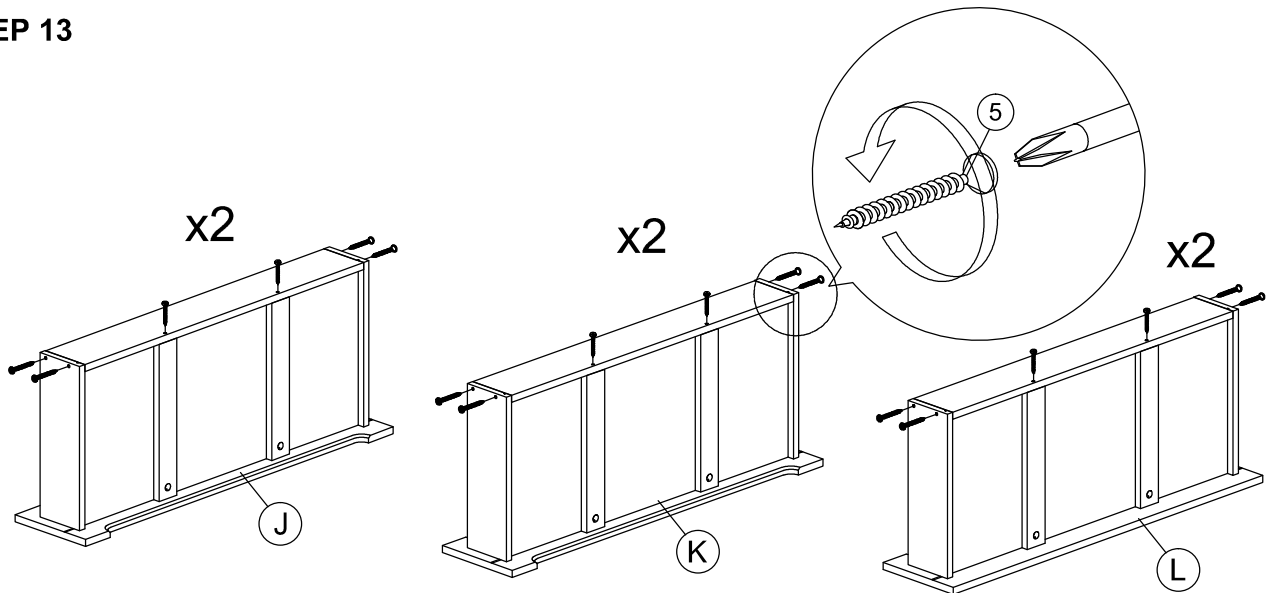


Assembly Instruction

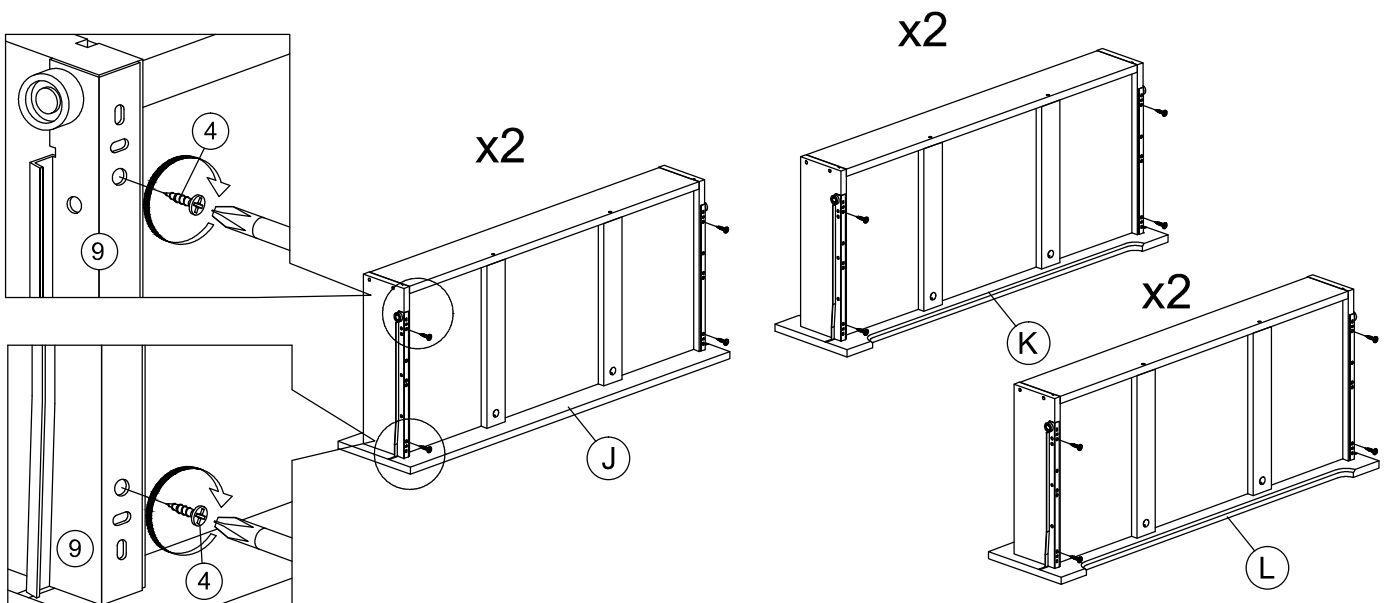
STEP 12



STEP 13

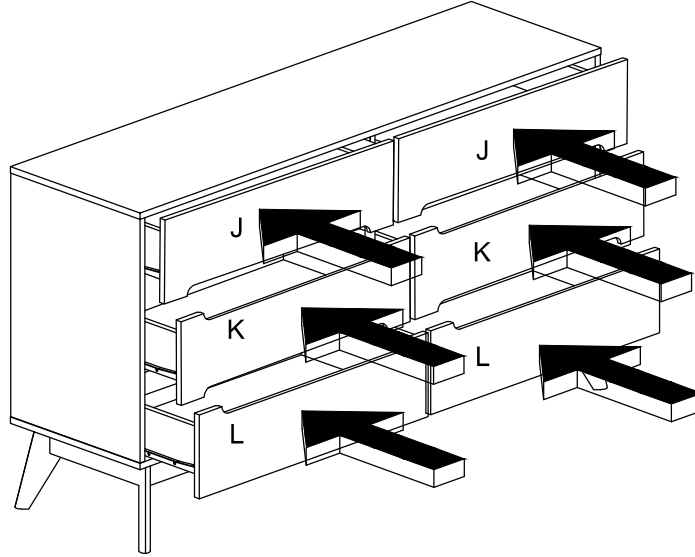


STEP 14

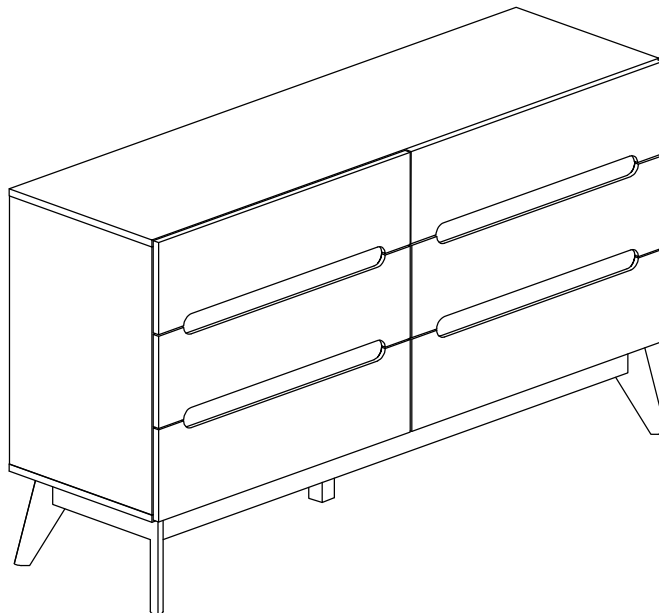


Assembly Instruction

STEP 15

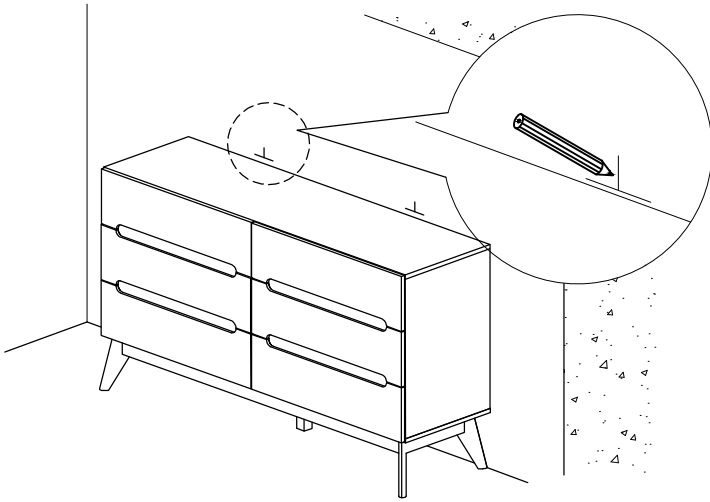


Complete

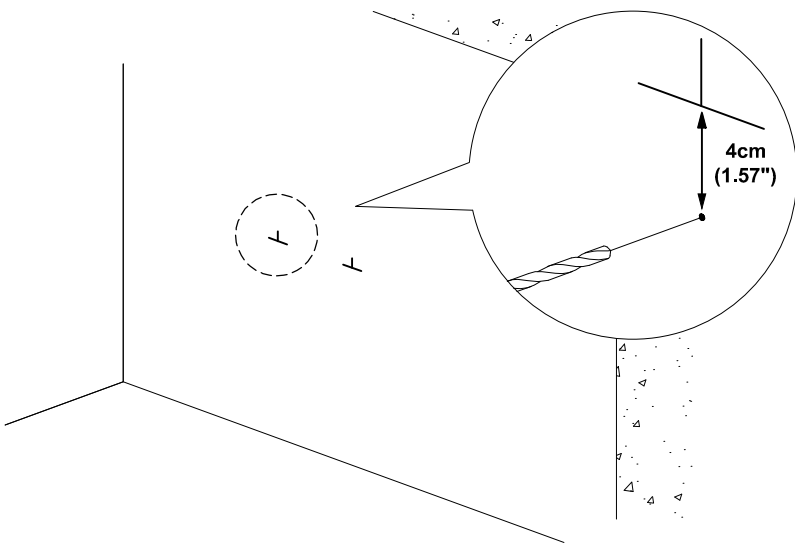


FURNITURE TIPPING RESTRAINT

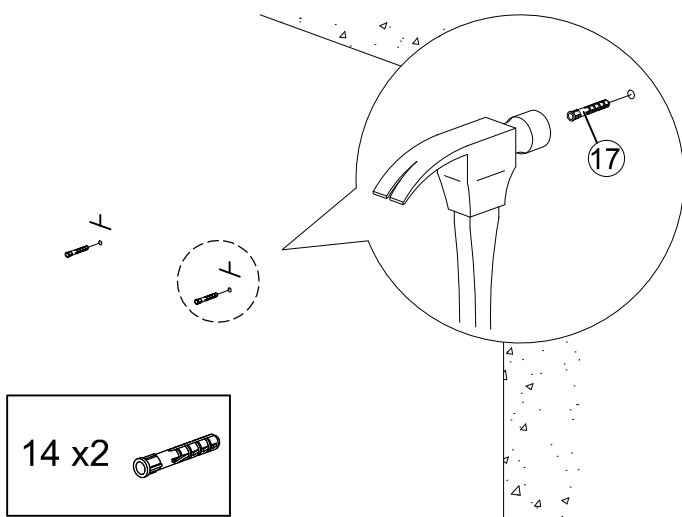
1. First mark the wall with pencil as in diagram.



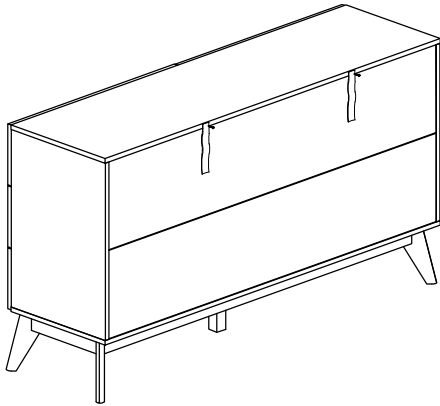
2. Drill small hole at the pencil mark.



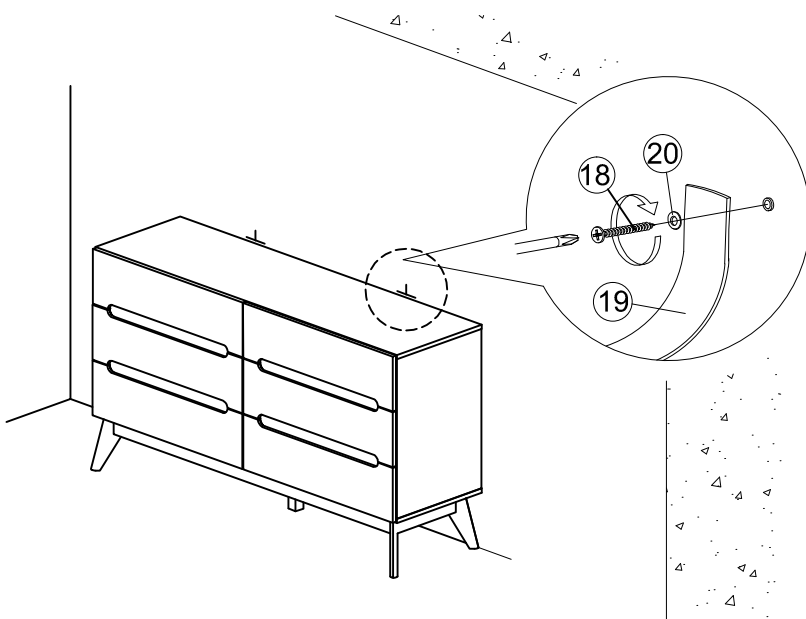
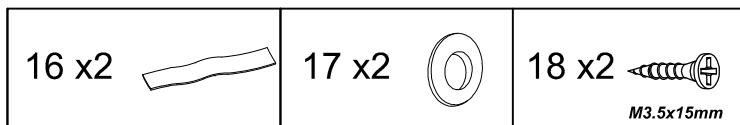
3. Insert plastic wall plug (14).



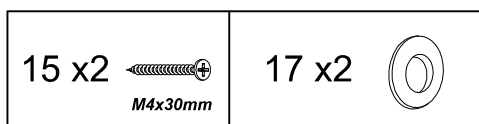
FURNITURE TIPPING RESTRAINT

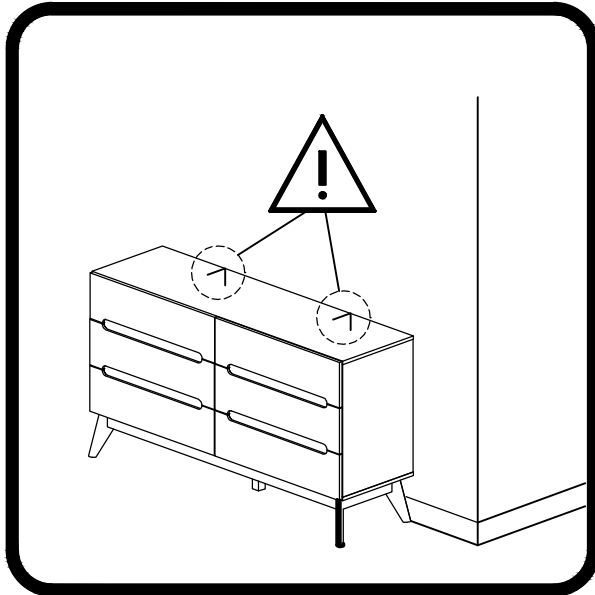


4. Add safety strap (16), washer (17) using 3.5x15mm screw (18) to back of cabinet.



5. Finally, attach safety strap (16) and washer (17) using 4x30mm screw (15) to the wall.





⚠ WARNING	
	Serious or fatal crushing injuries can occur from furniture tip-over. To help prevent tip-over:
	<ul style="list-style-type: none">• Install tipover restraint provided.• Place heaviest items in the lowest drawers.• Do not set TV's or other heavy objects on top of this product, unless the product is specifically designed to accommodate them.• Never allow children to climb or hang on drawers, doors, or shelves.• Never open more than one drawer at a time. (OR)
	<ul style="list-style-type: none">• Do not defeat or remove the drawer interlock system. Use of tip-over restraints may only reduce, but not eliminate, the risk of tip-over. <p><i>This is a permanent label. Do not remove!</i></p>



Anti-Topple hardware included for added safety and stability